



# Built-in appliances 2025

Power your kitchen

# Table of content

OVEN	_____	8 – 11
COMPACT APPLIANCES	_____	12
WARMING DRAWERS	_____	13
MICROWAVES	_____	14 – 15
HOBS	_____	16 – 29
EXTRACTOR HOODS	_____	30 – 35
COOLING AND FREEZING	_____	36 – 41
WINE REFRIGERATIONS	_____	42 – 43
DISHWASHERS	_____	44 – 45
WASHERS & DRYERS	_____	46
ACCESSORIES	_____	48 – 49
TECHNICAL DRAWINGS	_____	50 – 59

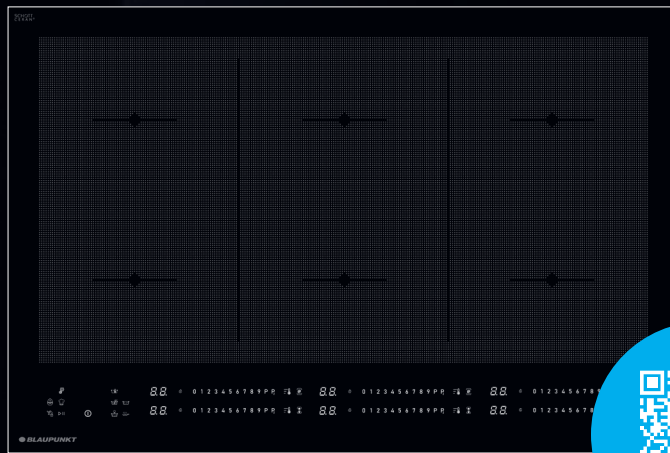




BLAUPUNKT

# EXCELLENT

Naturally, we are convinced by the design language of our appliances - and we also impress others with it. The renowned jury of the international Red Dot design competition has not only honoured our products several times, but has also awarded us the title of "Best of the Best". Which makes us a little proud. And for you it means that you have really good taste.



Induction hob  
**51186250**



reddot winner 2024



Sink series Maira



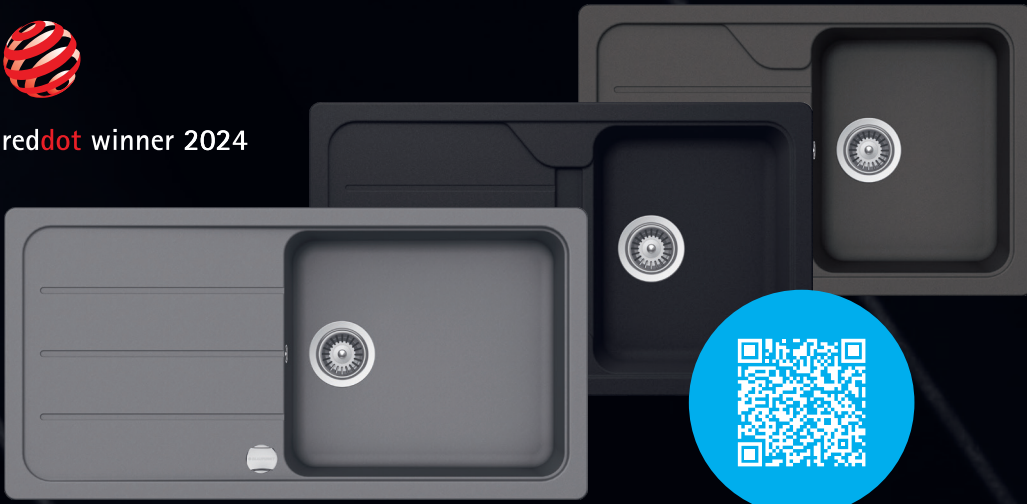
reddot winner 2024  
best of the best



Sink series Alento



reddot winner 2024



Built-in oven with pyrolysis  
5B50P8690



reddot winner 2024



Cross door refrigerator / freezer  
combination  
5CD891SC0



reddot winner 2024



# Ovens

**Built-in oven with microwave**

5B60M8690GB

SAP: 927211500 | MRP: ₹169,990



**Built-in oven with steam assist**

5B90S8990GB

SAP: 927212300 | MRP: ₹179,990



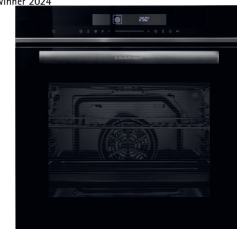
**Built-in oven with pyrolytic**

5B50P8690GB

SAP: 927212100 | MRP: ₹ 152, 990



reddot winner 2024



<b>Design</b>			
Colour	Black /Dark Steel	Black /Dark Steel	Black /Dark Steel
<b>Operating modes &amp; functions</b>			
Number of heating types	12	12	12
Top /bottom heat	•/•	•/•	•/•
Hot air /Hot air Eco	•/–	•/•	•/•
Circulation	•	•	•
Circulation grill	•	•	•
Large area grill	•	•	•
Small area grill	•	•	•
Pizza level	•	•	•
Defrosting	•	•	•
Quick heating	•	•	•
Combination functions	800 W microwave with 5 power levels	Steam assist, 3 programmes	Airfry
<b>Operating comfort &amp; equipment</b>			
Operation	Touch control with slider	Touch control with slider	Touch control with slider
Display /Colour	Digital /White	Digital /White	Digital /White
Door damping	–	•	•
Temperature recommendation	•	•	•
Temperature recommendation	•	•	•
Child lock	•	•	•
Cleaning	–	Descaling programme	Pyrolytic
Water tank volume (in litres)	–	1	–
Cooking chamber capacity (in litres)	72	72	72
<b>Accessories included**</b>			
	Multi-use wire shelf Enamelled baking tray	Multi-use wire shelf Enamelled baking tray Temperature probe 1-way telescopic extension	Airfry baking tray
<b>Technical data</b>			
Energy efficiency class	–	A+	A+
Connected load	2,9 kW / 230 V	3,15 kW / 220 – 240 V	3,2kW / 220 - 240 V
Appliance dimensions (H × W × D)	59,5 × 59,5 × 56,5 cm	59,5 × 59,5 × 56,5 cm	59,5 × 59,5 × 56,5 cm
Installation dimensions (H × W × D)	60,0 × 56,0 × 55,0 cm	59,0 × 56,0 × 55,0 cm	59,0 × 56,0 × 55,0 cm
<b>Note</b>			

# Ovens

## Built-in oven

5B50N8690GB

SAP: 927221400 | MRP: ₹109,990



Design	
Colour	Black / Dark Steel
Operating modes & functions	
Number of heating types	12
Top / bottom heat	•/•
Hot air / Hot air Eco	•/•
Circulation	•
Circulation grill	•
Large area grill	•
Small area grill	•
Pizza level	•
Defrosting	•
Quick heating	•
Combination functions	Airfry
Operating comfort & equipment	
Operation	Touch control with slider
Display / Colour	Digital / White
Door damping	•
Temperature recommendation	•
Temperature recommendation	•
Child lock	•
Cleaning	–
Water tank volume (in litres)	–
Cooking chamber capacity (in litres)	72
Accessories included**	
	Airfry baking tray
Technical data	
Energy efficiency class	A+
Connected load	2,9kW / 220 - 240 V
Appliance dimensions (H x W x D)	59,5 x 59,5 x 56,5 cm
Installation dimensions (H x W x D)	59,0 x 56,0 x 55,0 cm
Note	



BLAUPUNKT

# Ovens

## Built-in oven

5B30N0250IN

SAP: 927224200 | MRP: ₹94,990



## Built-in oven

5B36N0250IN

SAP: 927126800 | MRP: ₹84,990



Design		
Colour	Black	Stainless steel
Operating modes & functions		
Number of heating types	8	8
Top /bottom heat	•/•	•/•
Hot air /Hot air Eco	•/•	•/•
Circulation	–	–
Circulation grill	•	•
Large area grill	•	•
Small area grill	•	•
Pizza level	–	–
Defrosting	•	•
Quick heating	•	•
Combination functions	–	–
Operating comfort & equipment		
Operation	Retractable control knob	Retractable control knob
Display /Colour	Digital /White	Digital /White
Door damping	–	–
Temperature recommendation	–	–
Temperature recommendation	•	•
Child lock	•	•
Cleaning	–	–
Water tank volume (in litres)	-	-
Cooking chamber capacity (in litres)	70	70
Accessories included**		
	Multi-use wire shelf Enamelled baking tray 1-way telescopic extension	Multi-use wire shelf Enamelled baking tray 1-way telescopic extension
Technical data		
Energy efficiency class	A	A
Connected load	3,0kW / 220-240 V	3,2kW / 220-230 V
Appliance dimensions (H × W × D)	59,5 x 59,5 x 57,5 cm	59,5 x 59,5 x 57,5 cm
Installation dimensions (H × W × D)	59,0 x 56,0 x 55,0 cm	59,0 x 56,0 x 55,0 cm
Note		

# Ovens

## Built-in oven

5B20N0290IN

SAP: 927212000 | MRP: ₹74,990



## Built-in oven

5BC94190IN

SAP: 927231200 | MRP: ₹449,990



Design		
Colour	Black / Stainless steel	Black / Stainless steel
Operating modes & functions		
Number of heating types	5	9
Top / bottom heat	•/•	•/•
Hot air / Hot air Eco	•/-	•/-
Circulation	-	-
Circulation grill	•	•
Large area grill	-	•
Small area grill	•	•
Pizza level	-	-
Defrosting	•	•
Quick heating	-	-
Combination functions	-	-
Operating comfort & equipment		
Operation	Control knob	Control knob
Display / Colour	-	Digital / Red
Door damping	-	-
Temperature recommendation	-	-
Temperature recommendation	-	-
Child lock	-	-
Cleaning	-	-
Water tank volume (in litres)	-	-
Cooking chamber capacity (in litres)	70	93
Accessories included**		
	Multi-use wire shelf Universal pan	Multi-use wire shelf Universal pan
Technical data		
Energy efficiency class	-	-
Connected load	2,1 kW/230 V	2,8kW / 220-240 V
Appliance dimensions (H x W x D)	59,5 x 59,5 x 57,5 cm	48,0 x 90,0 x 55,0 cm
Installation dimensions (H x W x D)	59,0 x 56,0 x 55,0 cm	47,5 x 86,0 x 55,0 cm
Note		

## Compact appliances

### Built-in combination steam cooker

5C90S8990GB

SAP: 927226000 | MRP: ₹184,990



### Built-in microwave with hot air

5M60M8690GB

SAP: 925099500 | MRP: ₹89,990



Design		
Colour	Black / Dark Steel	Black / Dark Steel
Operating modes & functions		
Number of heating types	13	3
Top / bottom heat	•/•	-/-
Hot air / Hot air Eco	•/•	•/-
Circulation	•	-
Circulation grill	•	•
Large area grill	•	-
Small area grill	•	-
Pizza level	•	-
Defrosting	•	•
Dough process	•	-
Steam-cooking	•	-
Microwave	-	900 W microwave with 5 power levels
Combination functions	Steam cooking assistance 3 programmes	-
Operating comfort & equipment		
Operation	Touch control with slider	Touch control with slider
Display / Colour	Digital / White	Digital / White
Door damping	-	-
Temperature recommendation	•	•
Defrosting programmes	•	•
Child lock	•	•
Cleaning	Descaling programme	-
Water tank volume (in litres)	1	-
Cooking chamber capacity (in litres)	50	34
Accessories included**		
	Multi-use wire shelf Enamelled baking tray Steam container, perforated Gr.XL Temperature probe	Multi-use wire shelf
Technical data		
Energy efficiency class	-	-
Connected load	3,0 kW / 220 – 240 V	2,3kW / 230 V
Appliance dimensions (H × W × D)	45,4 × 59,5 × 56,8 cm	38,2 × 59,5 × 49,2 cm
Installation dimensions (H × W × D)	45,0 × 56,0 × 55,0 cm	38,0 × 56,0 × 55,0 cm

## Warming drawers

Built-in warming  
drawer

5WS16400

SAP: 927112500 | MRP: ₹79,990



Design	
Colour	Black
Operating comfort & equipment	
Opening	Push-pull opening
Operation	Rotary knob
Max. load (in kg)	15
Number of temperature levels	3
Temperature range	30 °C – 80 °C
Dish pre-heating	•
Food warm-keeping function	•
Defrosting of frozen food	•
Dough process	•
Anti-slip mat	•
Technical data	
Connected load	0,4 kW / 220 – 240 V
Appliance dimensions (H × W × D)	14,0 × 59,4 × 54,2 cm
Installation dimensions (H × W × D)	14,0 × 56,0 – 56,8 × 55,0 cm
Note	
	Can be combined with a compact appliance (450 mm) for installation in a 590 mm high recess



## Microwaves

### Built-in microwave with grill

5MG17190IN

SAP: 927213300 | MRP: ₹71,990



### Built-in microwave with grill

5MA27500IN

SAP: 927213200 | MRP: ₹69,990



### Built-in microwave with grill

5MG16199IN

SAP: 927113100 | MRP: 65,990



<b>Design</b>			
Colour	Black	Stainless steel / Black	Black
Construction type	Built-in appliance for a 60 cm wide tall unit	Built-in appliance for a 60 cm wide tall unit	Built-in appliance for a 60 cm wide tall unit
Door hinge	Left	Left	Left
<b>Microwave functions</b>			
Max. power	1000 W	1000 W	900 W
Number of power levels	5	5	5
Grill function	•	•	•
<b>Operating comfort &amp; equipment</b>			
Operation	Touch control with operating knob	Control knob	Touch control with operating knob
Display / Colour	Digital / Red	Digital / White	Digital / White
Door opening	Push button	Push button	Push button
Temperature recommendation	•	•	•
Defrosting programmes	•	•	•
Memory function	–	–	–
Cleaning	–	–	–
Turntable Ø (in cm)	31,5	31,5	31,5
Cooking chamber capacity (in litres)	34	34	25
<b>Accessories included**</b>			
	Glass turntable Grill grate	Glass turntable Grill grate	Glass turntable Grill grate
<b>Technical data</b>			
Connected load	2,5kW / 230 V	2,5kW / 230 V	2,45kW / 230-240 V
Appliance dimensions (H x W x D)	38,8 x 59,5 x 46,8 cm	38,8 x 59,5 x 46,7 cm	38,8 x 59,5 x 40,0 cm
Installation dimensions (H x W x D)	38,0 x 56,0 x 47,0 cm	38,0 x 56,0 x 47,0 cm	38,0 x 56,0 x 40,0 cm
<b>Note</b>			

 **BLAUPUNKT**

21:15

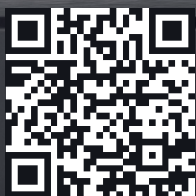




# MULTI CONTROL

## A unique match

Here everything comes together that belongs together:  
Blaupunkt hobs with Multi Control form a unique  
combination – together with the Multi Control extractor  
fan hoods. These can be easily controlled using the hob  
operating panel, and automatically adjust their output in line  
with the heat generated by the hob.



Here you can find all  
information about Multi  
Control

# Hobs

## Induction hob

51186250

SAP: 927231300 | MRP: ₹429,990



reddot winner 2024



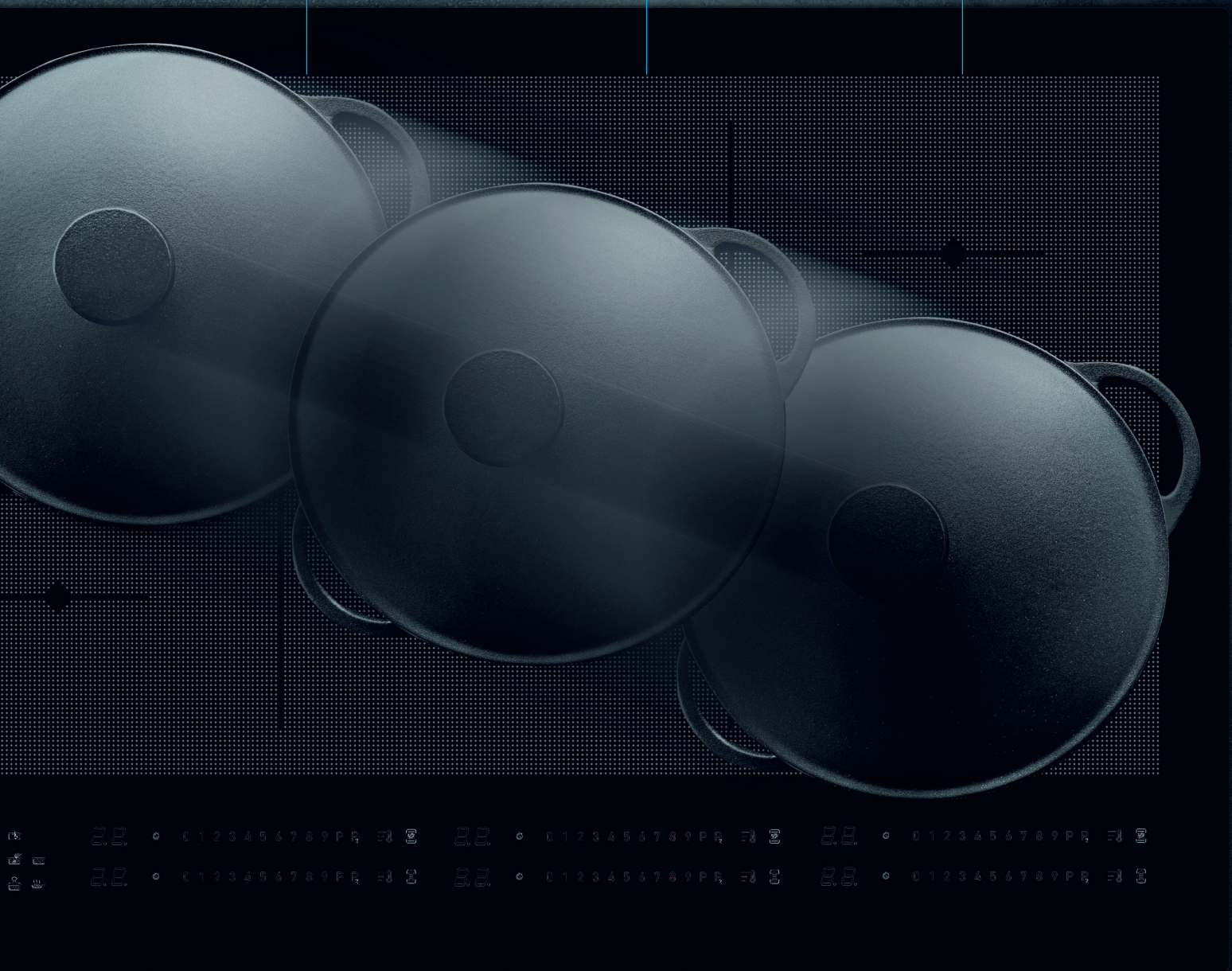
Design	
Version	Frameless
Construction type	Top mounted / flush-mounted
Width (in cm)	80
Heating type & functions	
Heating type	Induction
Power levels	14
Number of cooking zones	6
Cooking zones	6 × 22,0 × 18,0 cm (2,1kW / 2,65kW / 3,7kW)
Boost function	•
Double ring zone	–
Casserole zone	–
Special functions	1 × Combi induction Move Mode
Operating comfort & equipment	
Operation	Touch control with slider
Display / Colour	Digital / White
Pot detection	•
Residual heat display	•
Timer	•
Child lock	•
Safety switch-off	•
Power management	•
Multi Control <sup>1</sup>	•
Technical data	
Connected load	11,1kW / 220-240 V
Appliance dimensions (H × W × D)	5,0 x 78,0 x 52,0 cm
Installation dimensions (H × W × D)	5,0 x 75,0 x 49,0 cm
Note	
Ventilation	No ventilation from the front necessary



Flexible linking –  
3 x combi induction

Fast heat thanks to double  
boost function

Permanent pot detection –  
operating elements are  
activated automatically

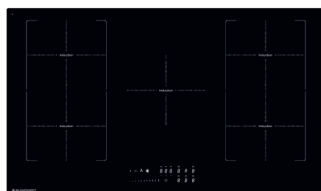


# Hobs

## Induction hob

5II94291

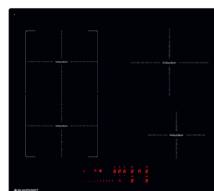
SAP: 927211700 | MRP: ₹224,990



## Induction hob

5IE64253

SAP: 925099000 | MRP: ₹124,990



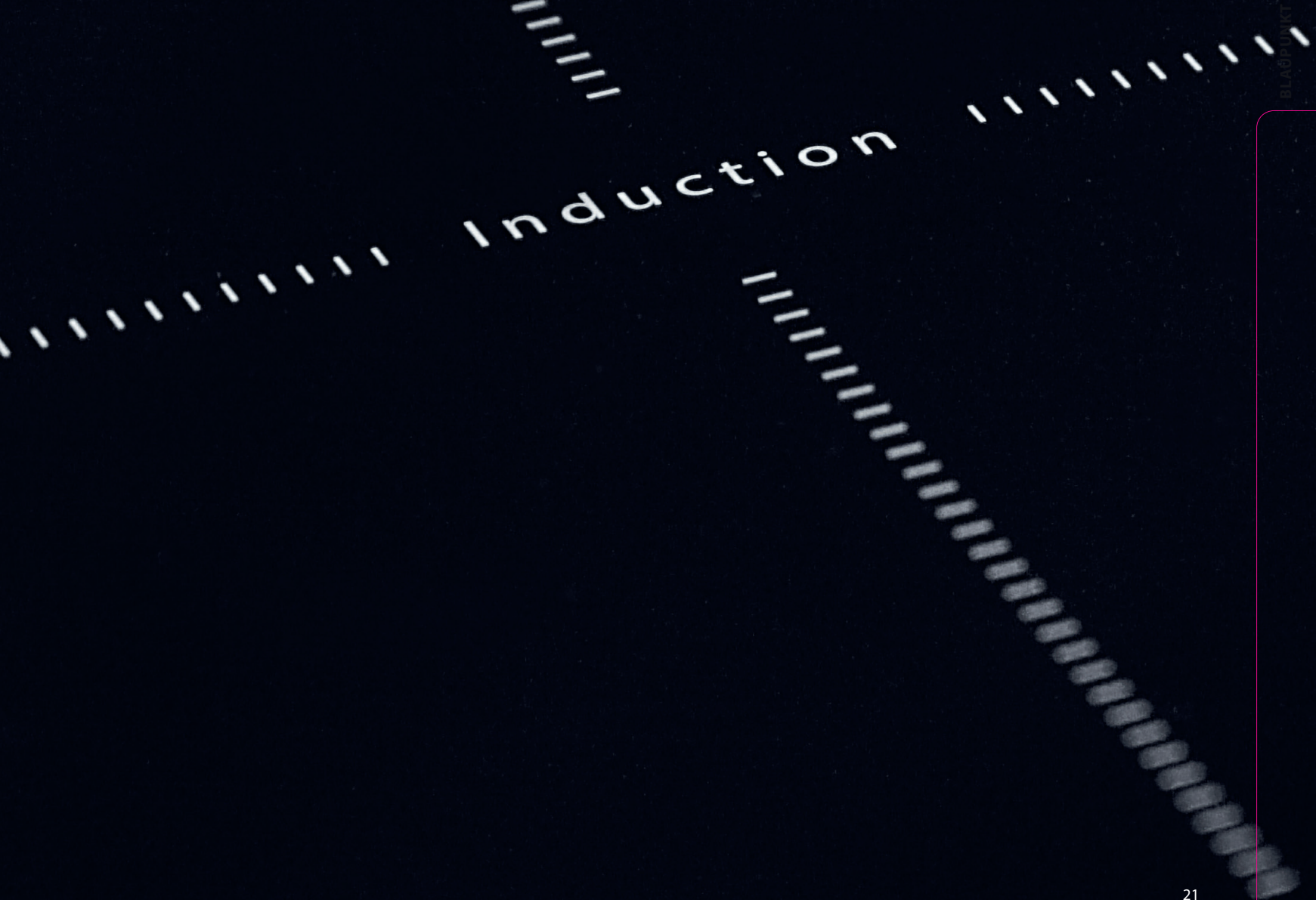
## Induction hob

5IZ34291

SAP: 927211900 | MRP: ₹79,990



Design			
Version	Frameless	Frameless	Frameless
Construction type	Top mounted / flush-mounted	Top mounted / flush-mounted	Top mounted / flush-mounted
Width (in cm)	90	60	30
Heating type & functions			
Heating type	Induction	Induction	Induction
Power levels	10	10	10
Number of cooking zones	5	4	2
Cooking zones	4 × 20,0 × 21,0 cm (2,3 kW / 3,0 kW) 1 × Ø 21,5 cm (2,3 kW / 3,0 kW)	1 × Ø 17,5 cm (1,4 kW / 2,1 kW) 1 × Ø 21,5 cm (2,3 kW / 3,0 kW) 2 × 21,0 × 19,0 cm (2,1 kW / 3,0 kW)	2 × Ø 17,5 cm (1,4 kW / 2,1 kW)
Boost function	•	•	•
Double ring zone	–	–	–
Casserole zone	–	–	–
Special functions	2 × Combi induction	1 × Combi induction	–
Operating comfort & equipment			
Operation	Touch control with slider	Touch control with slider	Touch control with slider
Display / Colour	Digital / White	Digital / Red	Digital / Red
Pot detection	•	•	•
Residual heat display	•	•	•
Timer	•	•	•
Child lock	•	•	•
Safety switch-off	•	•	•
Power management	•	•	•
Multi Control <sup>1</sup>	•	•	–
Technical data			
Connected load	7,4 kW / 220 – 240 V	7,4 kW / 220 – 240 V	3,7 kW / 220 – 240 V
Appliance dimensions (H × W × D)	5,2 × 88,0 × 52,0 cm	5,2 × 59,0 × 52,0 cm	5,2 × 30,0 × 52,0 cm
Installation dimensions (H × W × D)	5,2 × 81,0 × 49,0 cm	5,2 × 56,0 × 49,0 cm	5,2 × 27,0 × 49,0 cm
Note			
Ventilation	No ventilation from the front necessary	No ventilation from the front necessary	No ventilation from the front necessary



# Hobs

## Gas hob

5GH65BB390

SAP: 927161900 | MRP: ₹43,990



## Gas hob

5GH65BB490

SAP: 927162000 | MRP: ₹49,990



## Gas hob

5GH65BB491

SAP: 938271200 | MRP: ₹46,990



<b>Design</b>			
Version	Black glass	Black glass	Black glass
Construction type	Top mounted	Top mounted	Top mounted
Width (in cm)	60	60	60
<b>Heating type &amp; functions</b>			
Heating type	Gas	Gas	Gas
Gas type	Preset to natural gas (20 mbar) Can be converted to liquid gas (not included in the scope of supply)	Preset to natural gas (20 mbar) Can be converted to liquid gas (not included in the scope of supply)	Preset to natural gas (20 mbar) Can be converted to liquid gas (not included in the scope of supply)
Number of gas cooking zones	3	4	4
Cooking zone burner	1 × Strong burner (4,5 kW) 1 × Normal burner (2,0 kW) 1 × Normal burner (1,75 kW)	1 × Strong burner (4,5 kW) 1 × Normal burner (2,0 kW) 1 × Normal burner (1,75 kW) 1 × Energy-saving burner (1,0 kW)	1 × Wok burner (4,5 kW) 1 × Normal burner (1,75 kW) 1 × Energy-saving burner (1,0 kW)
<b>Operating comfort &amp; equipment</b>			
Operation	Control knob	Control knob	Control knob
Cast iron pot carrier	•	•	•
Electrical spoke spark ignition	•	•	•
Thermoelectric safety pilot	•	•	•
<b>Technical data</b>			
Connected load	8,5kW / 220-240 V	9,25kW / 220-240 V	9,0kW / 220-240 V
Appliance dimensions (H × W × D)	8,1 x 59,0 x 51,0 cm	8,1 x 59,0 x 51,0 cm	14,0 x 60,0 x 51,0 cm
Installation dimensions (H × W × D)	4,5 x 56,0 x 49,0 cm	4,1 x 56,0 x 49,0 cm	4,5 x 56,0 x 48,0 cm
<b>Note</b>			

# Hobs

## Gas hob

5GH75BB390

SAP: 927162100 | MRP: ₹49, 990



## Gas hob

5GH75BB490

SAP: 927162200 | MRP: ₹54, 990



## Gas hob

5GH75BB491

SAP: 938271300 | MRP: ₹54, 990



Design			
Version	Black glass	Black glass	Black glass
Construction type	Top mounted	Top mounted	Top mounted
Width (in cm)	77	77	80
Heating type & functions			
Heating type	Gas	Gas	Gas
Gas type	Preset to natural gas (20 mbar) Can be converted to liquid gas (not included in the scope of supply)	Preset to natural gas (20 mbar) Can be converted to liquid gas (not included in the scope of supply)	Preset to natural gas (20 mbar) Can be converted to liquid gas (not included in the scope of supply)
Number of gas cooking zones	3	4	4
Cooking zone burner	1 × Strong burner (4,5 kW) 1 × Normal burner (2,0 kW) 1 × Normal burner (1,75 kW)	1 × Strong burner (4,5 kW) 1 × Normal burner (2,0 kW) 2 × Normal burners (1,75 kW) 1 × Energy-saving burner (1,0 kW)	1 × Wok burner (4,5 kW) 1 × Strong burner (2,35 kW) 2 × Normal burners (1,75 kW)
Operating comfort & equipment			
Operation	Control knob	Control knob	Control knob
Cast iron pot carrier	•	•	•
Electrical spoke spark ignition	•	•	•
Thermoelectric safety pilot	•	•	•
Technical data			
Connected load	8,25kW / 220-240 V	9,25kW / 220-240 V	10,35kW / 220-240 V
Appliance dimensions (H × W × D)	8,1 × 77,0 × 51,0 cm	8,1 × 77,0 × 51,0 cm	14,0 × 80,0 × 52,0 cm
Installation dimensions (H × W × D)	4,1 × 73,0 × 49,0 cm	4,1 × 73,0 × 49,0 cm	4,5 × 72,0 × 48,0 cm
Note			

# Hobs

## Gas hob

5GH85BB390

SAP: 927162300 | MRP: ₹49,990



## Gas hob

5GH85BB490

SAP: 927162400 | MRP: ₹59,990



## Gas hob

5GH85BB590

SAP: 927162500 | MRP: ₹59,990



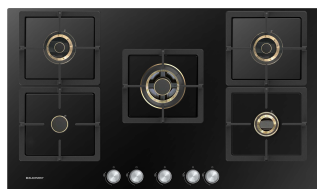
<b>Design</b>			
Version	Black glass	Black glass	Black glass
Construction type	Top mounted	Top mounted	Top mounted
Width (in cm)	86	86	86
<b>Heating type &amp; functions</b>			
Heating type	Gas	Gas	Gas
Gas type	Preset to natural gas (20 mbar) Can be converted to liquid gas (not included in the scope of supply)	Preset to natural gas (20 mbar) Can be converted to liquid gas (not included in the scope of supply)	Preset to natural gas (20 mbar) Can be converted to liquid gas (not included in the scope of supply)
Number of gas cooking zones	3	4	5
Cooking zone burner	2 × Strong burner (4,5 kW) 1 × Normal burner (1,75 kW)	1 × Strong burner (4,5 kW) 1 × Normal burner (2,0 kW) 1 × Normal burner (1,75 kW) 1 × Energy-saving burner (1,0 kW)	1 × Strong burner (4,5 kW) 2 × Normal burners (2,0 kW) 1 × Normal burner (1,75 kW) 1 × Energy-saving burner (1,0 kW)
<b>Operating comfort &amp; equipment</b>			
Operation	Control knob	Control knob	Control knob
Cast iron pot carrier	•	•	•
Electrical spoke spark ignition	•	•	•
Thermoelectric safety pilot	•	•	•
<b>Technical data</b>			
Connected load	10,75kW / 220-240 V	9,25kW / 220-240 V	11,25kW / 220-240 V
Appliance dimensions (H × W × D)	8,1 × 86,0 × 51,0 cm	8,1 × 86,0 × 51,0 cm	8,1 × 86,0 × 51,0 cm
Installation dimensions (H × W × D)	4,1 × 73,0 × 49,0 cm	4,1 × 73,0 × 49,0 cm	4,1 × 73,0 × 49,0 cm
<b>Note</b>			

# Hobs

## Gas hob

5GH85BB591

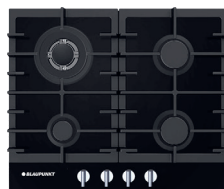
SAP: 938271400 | MRP: ₹64,990



## Gas hob

5GB62191IN

SAP: 927222300 | MRP: ₹57,990



## Gas hob

5GB72290IN

SAP: 927222400 | MRP: ₹68,990



Design			
Version	Black glass	Black glass	Black glass
Construction type	Top mounted	Top mounted	Top mounted
Width (in cm)	90	60	75
Heating type & functions			
Heating type	Gas	Gas	Gas
Gas type	Preset to natural gas (20 mbar) Can be converted to liquid gas (not included in the scope of supply)	Preset to natural gas (20 mbar) Can be converted to liquid gas (not included in the scope of supply)	Preset to natural gas (20 mbar) Can be converted to liquid gas (not included in the scope of supply)
Number of gas cooking zones	5	4	5
Cooking zone burner	1 × Wok burner (4,5 kW) 2 × Strong burner (2,35 kW) 1 × Normal burner (1,75 kW) 1 × Energy-saving burner (1,0 kW)	1 × Wok burner (3,6 kW) 2 × Normal burners (1,75 kW) 1 × Energy-saving burner (1,0 kW)	1 × Energy-saving burner (1,0 kW) 1 × Strong burner (3,0 kW) 1 × Wok burner (3,6 kW) 2 × Normal burners (1,75 kW)
Operating comfort & equipment			
Operation	Control knob	Control knob	Control knob
Cast iron pot carrier	•	•	•
Electrical spoke spark ignition	•	•	•
Thermoelectric safety pilot	•	•	•
Technical data			
Connected load	11,95kW / 220-240 V	8,1kW / 220-240 V	11,1kW / 220-240 V
Appliance dimensions (H × W × D)	14,0 x 90,0 x 51,0 cm	9,0 x 60,0 x 51,5 cm	9,0 x 75,0 x 52,0 cm
Installation dimensions (H × W × D)	4,5 x 83,0 x 48,0 cm	4,5 x 56,0 x 49,0 cm	4,5 x 56,0 x 49,0 cm
Note			



# Induction hob with integrated extractor fan

## Induction hob with integrated extractor fan

5IX94291

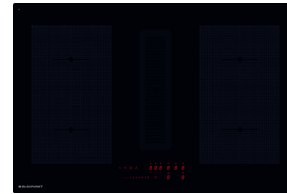
SAP: 927224300 | MRP: ₹429,990



## Induction hob with integrated extractor fan

5IX80290

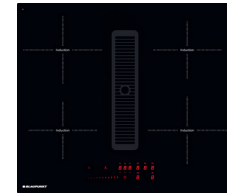
SAP: 927224500 | MRP: ₹409,990



## Induction hob with integrated extractor fan

5IX60290

SAP: 927224400 | MRP: ₹319,990



Design			
Version	Frameless	Frameless	Frameless
Construction type	Top mounted / flush-mounted	Top mounted / flush-mounted	Top mounted / flush-mounted
Width (in cm)	90	80	60
Extractor fan	Rear with electronic opening	Central	Central
Heating type & functions			
Heating type	Induction	Induction	Induction
Power levels	10	10	10
Number of cooking zones	4	4	4
Cooking zones	4 × Ø 19,0 × 21,0 cm (2,1 kW / 3,7 kW)	4 × Ø 19,0 × 21,0 cm (2,1 kW / 3,7 kW)	2 × Ø 17,5 cm (2,1 kW) 2 × Ø 16,0 cm (1,85 kW)
Boost function	•	•	•
Special functions	2 × Combi induction	2 × Combi induction	–
Operating comfort & equipment			
Operation	Touch Control	Touch control with slider	Touch control with slider
Display / Colour	Digital / Red	Digital / Red	Digital / Red
Pot detection	•	•	•
Residual heat display	•	•	•
Timer	•	•	•
Safety switch-off	•	•	•
Power management	•	•	•
Performance & functions extractor fan			
Extraction capacity max. normal / intensive level <sup>1</sup>	576 / 734 m <sup>3</sup> / h	434 / 500 m <sup>3</sup> / h	424 / 441 m <sup>3</sup> / h
Circulation capacity max. normal / intensive level <sup>1</sup>	450 / 560 m <sup>3</sup> / h	350 / 400 m <sup>3</sup> / h	339 / 353 m <sup>3</sup> / h
Power levels	5 + 1 Intensive level	9 + 1 Intensive level	9 + 1 Intensive level
Noise level (in dB {A}) normal level max. extract air <sup>2</sup>	65	69	69
Filter saturation indicator	•	•	•
Accessories included**			
	Metal grease filter, dishwasher-safe	Metal grease filter, dishwasher-safe	Metal grease filter, dishwasher-safe
Technical data			
Energy efficiency class	A+++	A	B
Connected load	7,4 kW / 220 – 240 V	7,4 kW / 220 – 240 V	7,4 kW / 220 – 240 V
Appliance dimensions (H × W × D)	82,7 – 98,2 × 90,0 × 53,0 cm	20,1 × 78,0 × 52,0 cm	20,1 × 59,0 × 52,0 cm
Installation dimensions (H × W × D)	5,8 × 86,2 × 49,5 cm	19,7 × 75,0 × 50,0 cm	19,7 × 59,0 × 50,0 cm
Note			
Ventilation	Ventilation from the front necessary	No ventilation from the front necessary	No ventilation from the front necessary

<sup>1</sup>Standards for fan capacity according to EN 61591.

<sup>2</sup>Standards for sound pressure according to EN 60704-2-13.

# Planning information

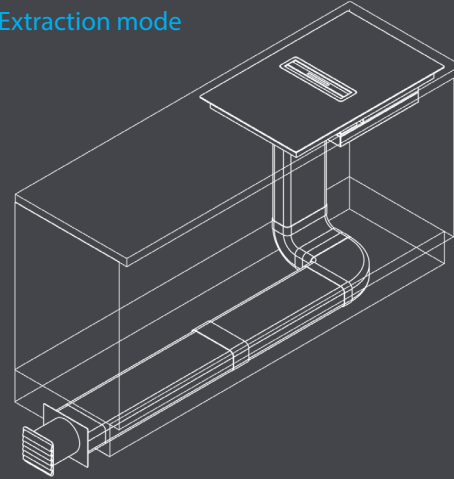
for 5IX 80290 and 5IX 60290

(with fan motor integrated into the hob)

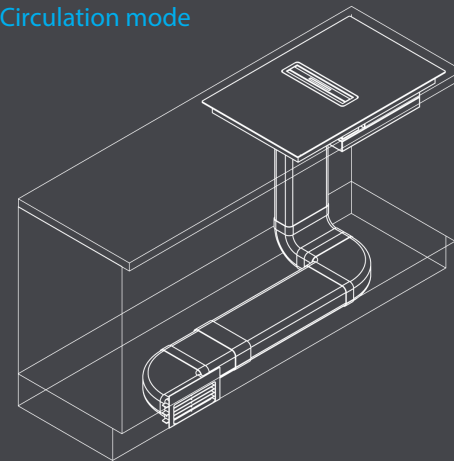
The following must be considered during planning and installation:

- The fan motor is integrated directly into the hob
- Naber Compair Flow 150 air discharge, allowing for freedom in planning airflow
- Airflow can be routed in any direction
- Dishwashers, under-counter refrigerators, drawers etc. cannot be planned in the area of the exhaust air duct
- Min. cabinet width 800 mm (5IX 80290)
- Min. cabinet width 600 mm (5IX 60290)
- Min. worktop depth 600 mm (correspondingly deeper when planning in niche panelling)
- Worktop depth 600 mm (for flush-mounted planning)
- Base height min. 100 mm (depending on the duct system used)

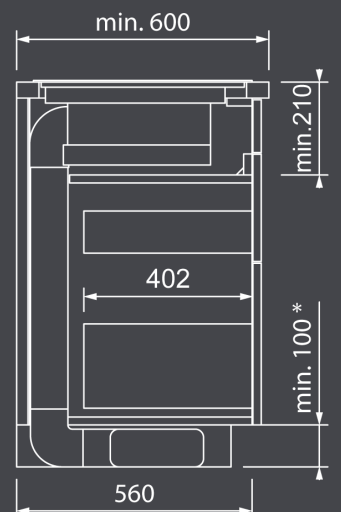
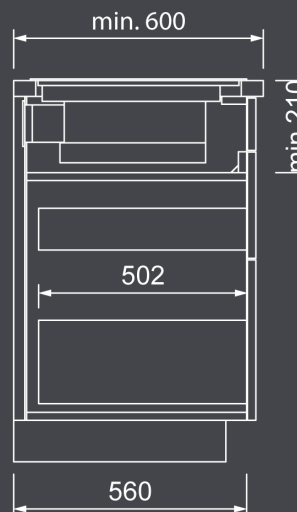
Extraction mode



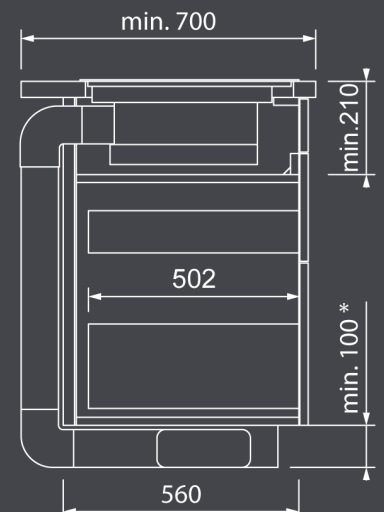
Circulation mode



Using a flat ducting system to extract outside of the carcass.



\*depending on the duct system used



\*depending on the duct system used

# Planning information

for 5IX 99291

(with base motor)

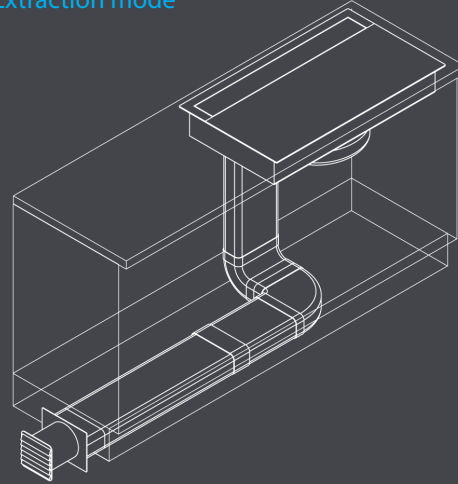
The following must be considered during planning and installation:

The airflow in a kitchenette can be generally conducted in any direction.

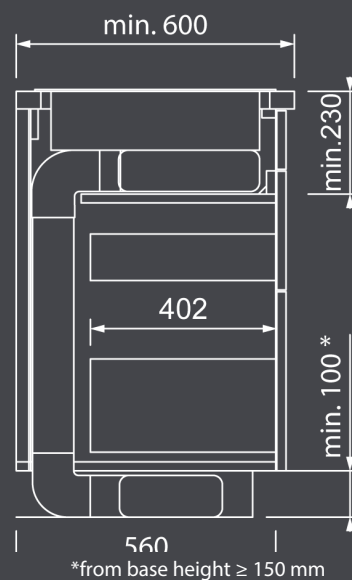
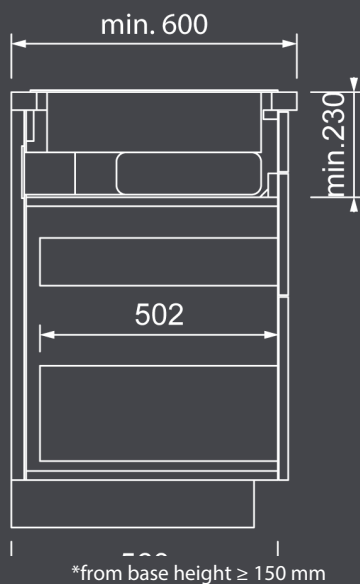
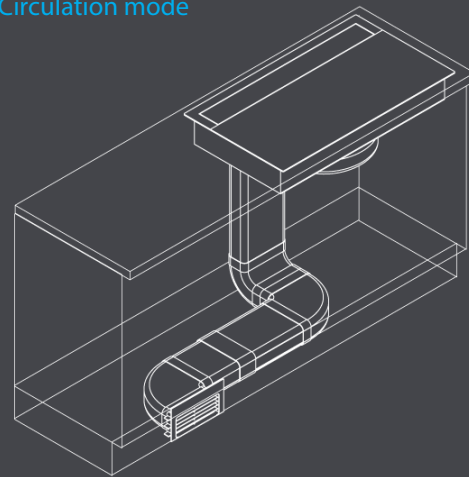
Turning the motor prior to installation allows you to conduct the air to the left or the right. For a right-side installation, an air outlet kit is required. The base area must always remain clear to allow the installation of a flat duct. The air routing can be planned in advance in different designs.

- It is not possible to plan in dishwashers, underframe coolers, base drawers etc. in the area of the exhaust air duct
- An air outlet kit is required on the right for planning in dishwashers, underframe coolers, base drawers etc. on the left-hand side
- Min. cabinet width 900 mm (5IX 99291, 5IX 94291, 5IX 90291)
- Min. cabinet width 600 mm (5IX 60260)
- Min. worktop depth 600 mm (correspondingly deeper when planning in niche panelling)
- Worktop depth 615 mm (for flush-mounted planning)
- Base height min. 100 mm

Extraction mode



Circulation mode



Using a flat ducting system to extract outside of the carcass.

## Extractor hoods

### Island hood

5SL92500

SAP: 927222600 | MRP: ₹575,000



### Island hood

5DF92760

SAP: 927163600 | MRP: ₹350,000



### Island hood

5DS99770

SAP: 925099100 | MRP: ₹149,990



Design			
Colour	Black glass / Stainless steel	Black painted stainless steel	Black glass / Black painted stainless steel
Construction type	Lift design	Frame	Box design
Width (in cm)	110	140	90
Operating modes & power			
Extraction mode / circulation mode	- / •	• / •	• / •
Fan efficiency class	-	A	A
Light efficiency class	-	A	A
Grease filter efficiency class	-	B	B
Extraction capacity max. normal / intensive level <sup>1</sup>	-	Powerful suction	Powerful suction
Circulation capacity max. normal / intensive level <sup>1</sup>	Powerful suction	Powerful suction	Powerful suction
Operating comfort & equipment			
Operation	Remote control	Remote control	Touch control with slider
Lighting	1 × 16 W LED	2 × 4,1 W LED	4 × 2 W LED
Power levels	3 + 1 Intensive level	3 + 1 Intensive level	3 + 1 Intensive level
Intensive levels with automatic reset	•	•	•
Multi Control <sup>1</sup>	-	•	-
Filter saturation indicator	-	-	-
Accessories included**			
	Metal grease filter, dishwasher-safe Remote control	Metal grease filter, dishwasher-safe Chimney Remote control	Metal grease filter, dishwasher-safe Chimney
Technical data			
Energy efficiency class	-	A	A+
Connected load	194 W / 220 – 240 V	208,2 W / 220 – 240 V	278 W / 220 – 240 V
Appliance dimensions, extraction (H × W × D)	-	90,0 – 109,0 × 140,0 × 60,0 cm	77,0 – 106,0 × 90,0 × 58,0 cm
Appliance dimensions, circulation (H × W × D)	28,0 – 128,0 × 108,7 × 58,7 cm	96,5 – 120,0 × 140,0 × 60,0 cm	77,0 – 106,0 × 90,0 × 58,0 cm
Note			

<sup>1</sup> Standards for fan capacity according to EN 61591.

<sup>2</sup> Standards for sound pressure according to EN 60704-2-13.

<sup>3</sup> For more information on Multi Control, see page 16 – 17.

In a range from: A+++ to D.

## Extractor hoods

### Island hood

5IT99451

SAP: 927161700 | MRP: ₹74,990



### Island hood

5DB96453

SAP: 927222500 | MRP: ₹109,990



Design		
Colour	Black glass / Stainless steel	Stainless steel / Black painted stainless steel
Construction type	Island hood	Cube design
Width (in cm)	90	45
Operating modes & power		
Extraction mode / circulation mode	•/•	-/•
Fan efficiency class	-	A
Light efficiency class	-	A
Grease filter efficiency class	-	C
Extraction capacity max. normal / intensive level <sup>1</sup>	Powerful suction	-
Circulation capacity max. normal / intensive level <sup>1</sup>	-/-	Powerful suction
Operating comfort & equipment		
Operation	Touch Control	Touch Control
Lighting	2 × 4 W LED	2 × 2,7 W LED
Power levels	3	3 + 1 Intensive level
Intensive levels with automatic reset	-	•
Multi Control <sup>1</sup>	-	•
Filter saturation indicator	-	-
Accessories included**		
	Metal grease filter, dishwasher-safe	Metal grease filter, dishwasher-safe
Technical data		
Energy efficiency class	-	A
Connected load	210 W / 220 – 240 V	225,4 W / 220 – 240 V
Appliance dimensions, extraction (H × W × D)	107,1 × 89,5 × 49,0 cm	-
Appliance dimensions, circulation (H × W × D)	107,1 × 89,5 × 49,0 cm	170,5 × 45,0 × 45,0 cm
Note		

<sup>1</sup> Standards for fan capacity according to EN 61591.

<sup>2</sup> Standards for sound pressure according to EN 60704-2-13.

<sup>3</sup> For more information on Multi Control, see page 16 – 17.

In a range from: A+++ to D.

## Extractor hoods

Wall flue

5DL69654

SAP: 927222900 | MRP: ₹194,990



Wall flue

5IL69361

SAP: 927210600 | MRP: ₹60,990



Wall flue

5IL66361

SAP: 927210500 | MRP: ₹52,990



Design			
Colour	Black glass / Dark Steel	Black	Black
Construction type	Angled hood	Angled hood	Angled hood
Width (in cm)	90	90	60
Operating modes & power			
Extraction mode / circulation mode	•/•	•/-	•/-
Fan efficiency class	A	-	-
Light efficiency class	A	-	-
Grease filter efficiency class	C	-	-
Extraction capacity max. normal / intensive level <sup>1</sup>	Powerful suction	Powerful suction	Powerful suction
Circulation capacity max. normal / intensive level <sup>1</sup>	Powerful suction	- / -	- / -
Operating comfort & equipment			
Operation	Touch Control		
Lighting	2 × 2,7 W LED	2 × 1,5 W LED	2 × 1,5 W LED
Power levels	3 + 1 Intensive level	3	3
Intensive levels with automatic reset	•	-	-
Multi Control <sup>1</sup>	•	-	-
Filter saturation indicator	•	-	-
Accessories included**			
	Metal grease filter, dishwasher-safe Chimney	-	-
Technical data			
Energy efficiency class	A+	-	-
Connected load	276 W / 220 – 240 V	210 W / 220-230 V	210 W / 220-230 V
Appliance dimensions, extraction (H × W × D)	71,2 – 102,2 × 90,0 × 34,0 cm	84,8 × 89,5 × 33,9 cm	84,8 × 59,5 × 33,9 cm
Appliance dimensions, circulation (H × W × D)	83,7 – 102,2 × 90,0 × 34,0 cm	-	-
Note			

<sup>1</sup> Standards for fan capacity according to EN 61591.

<sup>2</sup> Standards for sound pressure according to EN 60704-2-13.

<sup>3</sup> For more information on Multi Control, see page 16 – 17.

In a range from: A+++ to D.

## Extractor hoods

Wall flue

5IS69860

SAP: 927223000 | MRP: ₹64,990



Wall flue

5IS66860

SAP: 927223100 | MRP: ₹59,990



Wall flue

5DS69770

SAP: 927222700 | MRP: ₹144,990



Design			
Colour	Black	Black	Black glass / Black painted stainless steel
Construction type	Angled hood	Angled hood	Box design
Width (in cm)	90	60	90
Operating modes & power			
Extraction mode / circulation mode	•/-	•/-	•/•
Fan efficiency class	-	-	A
Light efficiency class	-	-	A
Grease filter efficiency class	-	-	B
Extraction capacity max. normal / intensive level <sup>1</sup>	Powerful suction	Powerful suction	Powerful suction
Circulation capacity max. normal / intensive level <sup>1</sup>	-/-	-/-	Powerful suction
Operating comfort & equipment			
Operation			Touch control with slider
Lighting	2 × 1,5 W LED	2 × 2 W LED	2 × 2 W LED
Power levels	3	3	3 + 1 Intensive level
Intensive levels with automatic reset	-	-	•
Multi Control <sup>1</sup>	-	-	-
Filter saturation indicator	-	-	-
Accessories included**			
	-	-	Metal grease filter, dishwasher-safe Chimney
Technical data			
Energy efficiency class	-	-	A+
Connected load	240 W / 220-230 V	230 W / 220-230 V	274 W / 220 – 240 V
Appliance dimensions, extraction (H × W × D)	84,9 x 89,5 x 34,0 cm	84,9 x 59,5 x 34,0 cm	79,0 – 106,0 × 90,0 × 45,0 cm
Appliance dimensions, circulation (H × W × D)	-	-	79,0 – 106,0 × 90,0 × 45,0 cm
Note			

<sup>1</sup> Standards for fan capacity according to EN 61591.

<sup>2</sup> Standards for sound pressure according to EN 60704-2-13.

<sup>3</sup> For more information on Multi Control, see page 16 – 17.

In a range from: A+++ to D.

## Extractor hoods

### Ceiling fan

5DD72556

SAP: 927225800 | MRP: ₹209,990



### Ceiling fan

5DD72557

SAP: 927231700 | MRP: ₹214,990



Design		
Colour	Black glass / Black painted stainless steel	Black glass / Black painted stainless steel
Construction type	Ceiling fan	Ceiling fan
Width (in cm)	90	120
Operating modes & power		
Extraction mode / circulation mode	- / •	• / •
Fan efficiency class	-	A
Light efficiency class	-	A
Grease filter efficiency class	-	C
Extraction capacity max. normal / intensive level <sup>1</sup>	-	Powerful suction
Circulation capacity max. normal / intensive level <sup>1</sup>	Powerful suction	Powerful suction
Operating comfort & equipment		
Operation	Remote control	Remote control
Lighting	2 × 4 W LED	2 × 4,2 W LED
Power levels	3 + 1 Intensive level	5 + 1 Intensive level
Intensive levels with automatic reset	•	•
Multi Control <sup>1</sup>	•	•
Filter saturation indicator	-	-
Accessories included**		
	Metal grease filter, dishwasher-safe Remote control	Metal grease filter, dishwasher-safe Remote control
Technical data		
Energy efficiency class	-	A+
Connected load	98 W / 220 – 240 V	173,4W / 220-240 V
Appliance dimensions, extraction (H × W × D)	-	16,1 x 120,0 x 55,0 cm
Appliance dimensions, circulation (H × W × D)	16,1 × 90,0 × 55,0 cm	16,1 x 120,0 x 55,0 cm
Note		

<sup>1</sup> Standards for fan capacity according to EN 61591.

<sup>2</sup> Standards for sound pressure according to EN 60704-2-13.

<sup>3</sup> For more information on Multi Control, see page 16 – 17.  
In a range from: A+++ to D.

## Extractor hoods

### Flat hood

5DA39460

SAP: 927223800 | MRP: ₹94,990



### Flat hood

5DA36258

SAP: 927223700 | MRP: ₹39,990



Design		
Colour	Black glass / Stainless steel	Silver-grey metallic
Construction type	Telescopic hood for wall unit	Telescopic hood for wall unit
Width (in cm)	90	60

Operating modes & power		
Extraction mode / circulation mode	•/•	•/•
Fan efficiency class	A	C
Light efficiency class	B	D
Grease filter efficiency class	B	B
Extraction capacity max. normal / intensive level <sup>1</sup>	Powerful suction	Powerful suction
Circulation capacity max. normal / intensive level <sup>1</sup>	Powerful suction	Powerful suction

Operating comfort & equipment		
Operation	Touch Control	Slide switch
Lighting	2 x 2,2 W LED	2 x 4 W LED
Power levels	3 + 1 Intensive level	3
Intensive levels with automatic reset	•	–
Multi Control <sup>1</sup>	–	–
Filter saturation indicator	•	–

Accessories included**		
	Metal grease filter, dishwasher-safe	Metal grease filter, dishwasher-safe

Technical data		
Energy efficiency class	A	B
Connected load	224,4W / 220-240 V	118W / 220 – 240 V
Appliance dimensions, extraction (H x W x D)	34,0 x 89,8 x 33,0 cm	17,5 x 59,8 x 26,0 cm
Appliance dimensions, circulation (H x W x D)	34,0 x 89,8 x 33,0 cm	17,5 x 59,8 x 26,0 cm

Note		
		Handle must be ordered separately.

<sup>1</sup> Standards for fan capacity according to EN 61591.

<sup>2</sup> Standards for sound pressure according to EN 60704-2-13.

<sup>3</sup> For more information on Multi Control, see page 16 – 17.

In a range from: A+++ to D.

## Cooling and freezing appliances

Built-in refrigeration / freezer combination

5CR394FD0

MRP: ₹429,990



Built-in refrigeration / freezer combination

5CR294FD0

SAP: 927233100 | MRP: ₹389,990



Built-in freezer

5FG288FD0

SAP: 927225000 | MRP: ₹189,990



<b>Design</b>			
Construction type	Installation	Installation	Installation
Height (in cm)	193,5	193,5	178
<b>Output &amp; consumption</b>			
Energy consumption per year (in kWh)	248	177	185
Total useful capacity (in litres)	400	280	197
Noise level (in dB A) re 1 pW	35	34	40
<b>Operating comfort &amp; equipment</b>			
Temperature control / display	Electronic / Digital	Electronic / Digital	Electronic / Digital
Interior lighting	LED	LED	LED
<b>Refrigeration compartment</b>			
Useful capacity (in litres)	299	212	-
Shelves made of safety glass	4 / 3 height-adjustable	5 / 4 height-adjustable	-
Door shelves	4	6	-
Freshness system	0 °C Boxes	0 °C Boxes	-
Automatic defrost in refrigeration compartment	•	•	-
<b>Freezer compartment</b>			
Useful capacity (in litres)	101	68	197
Freezer drawers / freezer compartment	3 / -	3 / -	6 / 2
Big Box	-	-	-
Freezing capacity (kg in 24 hours)	8,5	7	11,5
Storage time in case of malfunction (in hours)	26	7	6
Super freezing	-	•	•
No Frost / Low Frost	- / •	• / -	• / -
<b>Technical data</b>			
Energy efficiency class	E	D	D
Fixed door technology / sliding door technology	• / -	• / -	• / -
Door hinge	Right, changeable	Right, changeable	Right, changeable
Connected load	90W / 220-230 V	90W / 220-240 V	207W / 220-240 V
Appliance dimensions (H x W x D)	193,5 x 69,0 x 54,5 cm	193,5 x 55,7 x 54,5 cm	177,0 x 54,0 x 54,5 cm
Recess dimensions (H x W x D)	194,0-195,0 x 71,0 x 55,0 cm	194,0-195,0 x 56,0 x 55,0 cm	177,5 x 56,0 x 55,0 cm
<b>Note</b>			
	For 75cm wide conversion cabinet		

# Cooling and freezing appliances

## Built-in refrigeration

5CL288FD0

SAP: 927224600 | MRP: ₹179,990



## Built-in refrigeration / freezer combination

5CR284FD0

SAP: 927225900 | MRP: ₹299,990



Design		
Construction type	Installation	Installation
Height (in cm)	178	178
Output & consumption		
Energy consumption per year (in kWh)	89	179
Total useful capacity (in litres)	294	250
Noise level (in dB A) re 1 pW	39	34
Operating comfort & equipment		
Temperature control / display	Electronic / Digital	Electronic / Digital
Interior lighting	LED	LED
Refrigeration compartment		
Useful capacity (in litres)	294	182
Shelves made of safety glass	5 / 4 height-adjustable	4 / 3 height-adjustable
Door shelves	5 / 1 height-adjustable	5
Freshness system	Freshness box	0 °C Boxes
Automatic defrost in refrigeration compartment	•	•
Freezer compartment		
Useful capacity (in litres)	-	68
Freezer drawers / freezer compartment	- / -	3 / -
Big Box	-	-
Freezing capacity (kg in 24 hours)	-	7
Storage time in case of malfunction (in hours)	-	7
Super freezing	-	•
No Frost / Low Frost	- / -	• / -
Technical data		
Energy efficiency class	D	D
Fixed door technology / sliding door technology	• / -	• / -
Door hinge	Right, changeable	Right, changeable
Connected load	90W/220-240 V	90W / 220-240 V
Appliance dimensions (H x W x D)	177,0 x 54,0 x 54,5 cm	177,0 x 55,7 x 54,5 cm
Recess dimensions (H x W x D)	177,5 x 56,0 x 55,0 cm	177,6-178,0 x 56,0 x 54,5 cm
Note		

## Cooling and freezing appliances

Built-in refrigeration / freezer combination

5CR288SD0

SAP: 927224800 | MRP: ₹199,990



Built-in refrigeration / freezer combination

5CB288SD0

SAP: 927224700 | MRP: ₹179,990



Built-in refrigeration / freezer combination

5CB281SD0

SAP: 927212400 | MRP: ₹124,990



<b>Design</b>			
Construction type	Installation	Installation	Installation
Height (in cm)	178	178	178
<b>Output &amp; consumption</b>			
Energy consumption per year (in kWh)	174	174	173
Total useful capacity (in litres)	243	251	249
Noise level (in dB A) re 1 pW	37	37	39
<b>Operating comfort &amp; equipment</b>			
Temperature control / display	Electronic / Digital	Electronic / Digital	Electronic / Digital
Interior lighting	LED	LED	LED
<b>Refrigeration compartment</b>			
Useful capacity (in litres)	180	181	179
Shelves made of safety glass	4 / 3 height-adjustable	4 / 3 height-adjustable	5 / 4 height-adjustable
Door shelves	4	4	3
Freshness system	Freshness box	Freshness box	Freshness box
Automatic defrost in refrigeration compartment	•	•	•
<b>Freezer compartment</b>			
Useful capacity (in litres)	63	70	70
Freezer drawers / freezer compartment	3 / -	3 / -	3 / -
Big Box	-	-	-
Freezing capacity (kg in 24 hours)	3,3	3,3	3,2
Storage time in case of malfunction (in hours)	8	12,5	10
Super freezing	-	-	•
No Frost / Low Frost	• / -	- / •	- / -
<b>Technical data</b>			
Energy efficiency class	D	D	D
Fixed door technology / sliding door technology	- / •	- / •	- / •
Door hinge	Right, changeable	Right, changeable	Right, changeable
Connected load	153W / 220-240 V	90W / 220-240 V	115W / 220-240 V
Appliance dimensions (H x W x D)	177,0 x 54,0 x 54,5 cm	177,0 x 54,0 x 54,5 cm	176,9 x 54,0 x 54,0 cm
Recess dimensions (H x W x D)	177,5 x 56,0 x 55,0 cm	177,5 x 56,0 x 55,0 cm	177,0-178,5 x 56,0 x 55,0 cm
<b>Note</b>			

## Cooling and freezing appliances

### Built-in refrigeration

5CK241FE0

SAP: 925099400 | MRP: ₹109,990



### Undercounter refrigeration with freezer compartment

5CP224FD0

SAP: 927231100 | MRP: ₹179,990

NEW



Design		
Construction type	Installation	Built-under sink
Height (in cm)	122,5	82
Output & consumption		
Energy consumption per year (in kWh)	100	120
Total useful capacity (in litres)	199	126
Noise level (in dB A) re 1 pW	39	39
Operating comfort & equipment		
Temperature control / display	Electronic / Digital	Electronic / Digital
Interior lighting	LED	LED
Refrigeration compartment		
Useful capacity (in litres)	199	108
Shelves made of safety glass	6 / 5 height-adjustable	3 / 2 height-adjustable
Door shelves	3	3
Freshness system	Freshness box	Freshness box
Automatic defrost in refrigeration compartment	•	•
Freezer compartment		
Useful capacity (in litres)	–	18
Freezer drawers / freezer compartment	– / –	– / 1
Big Box	–	–
Freezing capacity (kg in 24 hours)	–	3
Storage time in case of malfunction (in hours)	–	10
Super freezing	–	–
No Frost / Low Frost	– / –	– / –
Technical data		
Energy efficiency class	E	D
Fixed door technology / sliding door technology	– / •	• / –
Door hinge	Right, changeable	Right, changeable
Connected load	80 W / 220 – 240 V	90W / 220-240 V
Appliance dimensions (H x W x D)	122,0 x 54,0 x 54,0 cm	81,9 x 59,7 x 54,5 cm
Recess dimensions (H x W x D)	122,0 – 123,0 x 56,0 x 55,0 cm	82,0-89,0 x 60,0 x 55,0 cm
Note		

## Cooling and freezing appliances

Side-by-side refrigeration / freezer combination

5SB891SE0

SAP: 927225100 | MRP: ₹259,990



Design	
Colour	Stainless steel look
Construction type	Free-standing
Height (in cm)	177
Output & consumption	
Energy consumption per year (in kWh)	306
Total useful capacity (in litres)	513
Noise level (in dB A) re 1 pW	39
Operating comfort & equipment	
Temperature control / display	Electronic / Digital
Interior lighting	LED
Refrigeration compartment	
Useful capacity (in litres)	344
Shelves made of safety glass	4/2 height-adjustable
Door shelves	4
Freshness system	2 x Multi Box for fruits and vegetables
Automatic defrost in refrigeration compartment	•
Freezer compartment	
Useful capacity (in litres)	169
Freezer drawers / freezer compartment	2
Big Box	–
Freezing capacity (kg in 24 hours)	12
Storage time in case of malfunction (in hours)	6
Super freezing	•
No Frost / Low Frost	• / –
Technical data	
Energy efficiency class	E
Door hinge	Right and left
Connected load	150 W / 220 – 240 V
Appliance dimensions (H x W x D)	177,0 x 90,0 x 66,0 cm
Note	
	External fixed water supply incl. 5 mtr. connection hose and water connection adapter 3/4"

# Cooling and freezing appliances

Crossdoor refrigeration / freezer combination

5CD891SC0

SAP: 925098600 | MRP: ₹309,990



Design	
Colour	Dark Steel
Construction type	Free-standing
Height (in cm)	190
Output & consumption	
Energy consumption per year (in kWh)	255
Total useful capacity (in litres)	522
Noise level (in dB A) re 1 pW	39
Operating comfort & equipment	
Temperature control / display	Electronic / Digital
Interior lighting	LED
Refrigeration compartment	
Useful capacity (in litres)	343
Shelves made of safety glass	3 / 2 height-adjustable
Door shelves	6
Freshness system	Extra Fresh Boxes
Automatic defrost in refrigeration compartment	•
Freezer compartment	
Useful capacity (in litres)	179
Freezer drawers / freezer compartment	6 / -
Big Box	-
Freezing capacity (kg in 24 hours)	13
Storage time in case of malfunction (in hours)	11
Super freezing	•
No Frost / Low Frost	• / -
Technical data	
Energy efficiency class	D
Door hinge	Right and left
Connected load	180 W / 220 - 240 V
Appliance dimensions (H × W × D)	190,5 × 91,0 × 69,0 cm
Note	



# Wine refrigerations

## Built-in wine refrigeration

5WK630FF0

SAP: 927228400 | MRP: ₹299,000

NEW



## Undercounter wine cooler

5WK830FF0

SAP: 927225500 | MRP: ₹349,000

NEW



## Free-standing wine cooler

5WK490SL

SAP: 927225600 | MRP: ₹149,990



Design			
Colour	Black glass	Black glass	Black glass
Version	Built-in appliance for a 60 cm wide tall unit	Built-under sink	Free-standing
Height (in cm)	60	82	84,5
Output & consumption			
Energy consumption per year (in kWh)	99	104	142
Total useful capacity (in litres)	63	116	49
Noise level (in dB A) re 1 pW	35	35	41
Operating comfort & equipment			
Operation	Touch Control	Touch Control	Touch Control
Door opening	Handle strip	Handle strip	Handle strip
Display / Colour	Digital /White	Digital /White	Digital /White
Interior lighting	LED	LED	LED
UV protective glazing	•	•	•
Anti-vibration system	•	•	•
Acoustic door alarm	•	•	–
Telescopic pull-outs	•	•	–
Cushioned hinges	•	•	–
Refrigeration compartment			
Temperature zones	2	2	2
Temperature setting, upper zone	5°C-20°C	5°C - 20°C	5-20
Temperature setting, lower zone	5°C-20°C	5°C - 20°C	5-20
Solid wood shelves	3	4	4
Capacity / bottles 0,75 litres each	23	43	49
Technical data			
Energy efficiency class	F	F	G
Fixed door technology / sliding door technology	•/–	•/–	•/–
Door hinge	Right, changeable	Right, changeable	Right
Connected load	90W/220-240V	90W / 220-240 V	220-240 V
Appliance dimensions (H x W x D)	59,0 x 59,5 x 56,1 cm	82,0 x 59,5 x 56,0 cm	84,5 x 48 x 57,5 cm
Recess dimensions (H x W x D)	59,0 x 56,0 x 55,0 cm	82,0-87,0 x 60,0 x 55,5 cm	–

# Dishwashers

## Built-in dishwasher, fully integrated

5VF4X00BSD

SAP: 927224000 | MRP: ₹189,990



## Built-in dishwasher, fully integrated

5VF421IN

SAP: 927231500 | MRP: ₹109,990



Design		
Construction type	Fully integrated	Fully integrated
High-mounting	•	•
Height (in cm)	82	82
Width (in cm)	60	60

Consumption data & functions		
Energy consumption kWh <sup>1</sup>	85	0,71
Water consumption (in litres) <sup>2</sup>	9,5	12,7
Noise level (in dB A) re 1 pW	43	49
Number of washing programmes	10	8
Washing programme types	Eco 50 °C • Auto 50 °C – 60 °C • Intensive 65 °C • Hygiene • Quick 30 • Fine	Auto 50 °C – 60 °C • Eco • 1 h 30 min. 55 °C – 60 °C • Glass 45 °C • Intensive 70 °C • Fast45 °C • Soaking
Special functions	Machine cleaning programme • Half load • Extra dry • Extra Speed	Extra dry • Power Zone

Operating comfort & equipment		
Operation	Programme selection button	Programme selection button
Number of standard place settings	14	14
Interior lighting	–	–
Programme status display	•	•
Remaining time display	•	•
Start time preselection (in hours)	1-12	1-24
Optical operating display	Info Light	•
Acoustic program finish signal	•	•
Cutlery storage	Cutlery drawer	Cutlery drawer
Height-adjustable upper basket	•	•
Folding spikes in the upper basket / lower basket	– /4	– /2
Aqua sensor / load sensor	• /•	– /–
Dosing assistant	–	–
Interior / Base	Stainless steel / Stainless steel	Stainless steel / Stainless steel
Water protection system	Aquastop	Aquastop
Drag hinge	–	–

Technical data		
Energy efficiency class	D	–
Connected load	1,9kW / 220-240 V	1,8kW / 220-240 V
Appliance dimensions (H × W × D)	82,0 x 59,8 x 55,0 cm	81,5 x 59,8 x 55,0 cm
Recess dimensions (H × W × D)	82,0-90,0 x 60,0 x 55,0 cm	82,0-87,0 x 60,0 x 55,0 cm

# Dishwashers

## Built-in dishwasher, semi integrated

5VI311IN

SAP: 927231600 | MRP: ₹107,990



## Dishwasher, free-standing

5VS401IN

SAP: 927210400 | MRP: ₹84,990



Design		
Construction type	Semi integrated	Free-standing
High-mounting	•	–
Height (in cm)	82	84,5
Width (in cm)	60	60
Consumption data & functions		
Energy consumption kWh <sup>1</sup>	0,71	0,908
Water consumption (in litres) <sup>2</sup>	12,5	11
Noise level (in dB A) re 1 pW	49	49
Number of washing programmes	6	6
Washing programme types	1 h 30 min. 55 °C – 60 °C • Eco • Glass 40 °C • Intensive 70 °C • Fast 45 / 65 °C	1h 30min. 55°-60°C • Eco • Intensive 65 °C • Soaking • Glass 45 °C
Special functions	Power Zone • Extra dry	Half load • Extra dry
Operating comfort & equipment		
Operation	Programme selection button	Push buttons
Number of standard place settings	14	12
Interior lighting	–	–
Programme status display	•	•
Remaining time display	•	•
Start time preselection (in hours)	3/6/9	–
Optical operating display	•	•
Acoustic program finish signal	–	–
Cutlery storage	Cutlery drawer	Cutlery basket
Height-adjustable upper basket	•	•
Folding spikes in the upper basket / lower basket	– / 2	– / 2
Aqua sensor / load sensor	– / –	– / –
Dosing assistant	–	–
Interior / Base	Stainless steel / Stainless steel	Stainless steel / Stainless steel
Water protection system	Aquastop	Aquastop
Drag hinge	–	–
Technical data		
Energy efficiency class	–	–
Connected load	1,8kW / 220-240 V	2,1kW / 220-240 V
Appliance dimensions (H × W × D)	81,5 x 59,8 x 55,0 cm	84,5 x 59,8 x 60,0 cm
Recess dimensions (H × W × D)	82,0-87,0 x 60,0 x 55,0 cm	–

<sup>1</sup> Energy consumption in kWh / 100 operating cycles (in Eco programme).

<sup>2</sup> Water consumption in litres / operating cycle (in Eco programme).

## Washers & dryers

### Washer dryer

5WT6X001

SAP: 925098700 | MRP: ₹149,990



### Washing machine

5WF6X910

SAP: 925098800 | MRP: ₹109,990



### Tumble dryer

5TF6X910

SAP: 925098900 | MRP: ₹129,990



Design			
Construction type	Fully integrated	Free-standing	Free-standing
High-mounting	-	•	•
Height (in cm)	82 cm	84,5 cm	84 cm
Width (in cm)	60 cm	60 cm	60 cm
Consumption data & functions			
Energy consumption kWh <sup>1</sup>	326 / 47	0.49kWh	2.12kWh
Water consumption (in litres) <sup>2</sup>	48	50	-Spin-
drying efficiency class	B	B	A++
Condensation efficiency class	B	-	B
Airborne acoustical noise emissions class	B	C	-
Noise value in dB{A}	75	50 / 77	65
Number of programmes	15	15	16
Special functions	-	-	-
Operating comfort & equipment			
Operation	Programme selection button	Programme selection button	Programme selection button
Display / Colour	Digital / White	Digital / White	Digital / White
Capacity in kg	5 / 8	9	9
Spin speed max.	1400	1400	-
Honeycomb drum	•	•	•
Programme status display	•	•	•
Remaining time display	•	•	•
Start time preselection (in hours)	1-24	1-24	1-24
Optical operating display	•	•	•
Acoustic program finish signal	-	-	-
Cutlery storage	•	•	-
Water protection system	Aquastop	Aquastop	-
Technical data			
Energy efficiency class washing	A	A	-
Energy efficiency class drying	E	-	A++
Connected load	1,8kW / 220-240 V	2,2kW / 220-240	1,0kW / 220-240
Appliance dimensions (H x W x D)	81,7 x 59,7 x 54,4 cm	84,5 x 59,7 x 58,2 cm	84,5 x 59,6 x 60,9 cm
Recess dimensions (H x W x D)	82,0-88,0 x 60,0 x 56,0 cm	-	-

<sup>1</sup> Energy consumption in kWh / 100 operating cycles (in Eco programme).  
<sup>2</sup> Water consumption in litres / operating cycle (in Eco programme).  
 In a range from: A+++ to D.

# BLAUPUNKT ADDITIONAL ACCESSORIES



**Griddle plate**

**5Z99GP01**

SAP: 927183400 | MRP: ₹24,990

(H×W×D)

40.8 × 24.0 × 5.0 cm incl. handle

40.8 × 24.0 × 2.1 cm without handle

Compatible with all hobs.



**Teppanyaki plate**

**5Z99TP01**

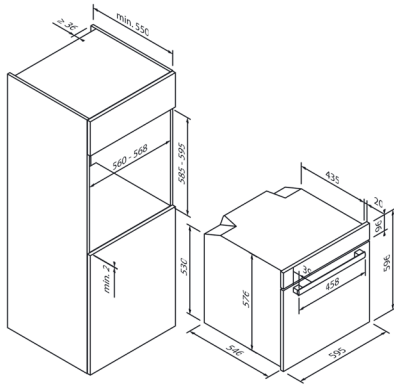
SAP: 927211300 | MRP: ₹24,990

It's every barbecue fan's dream: It may be raining, snowing or stormy outside – he can still indulge his passion inside.

With the cast iron barbecue grill or the Teppanyaki grill, steaks, fish and vegetables get that familiar aroma from the open-air barbecue season.

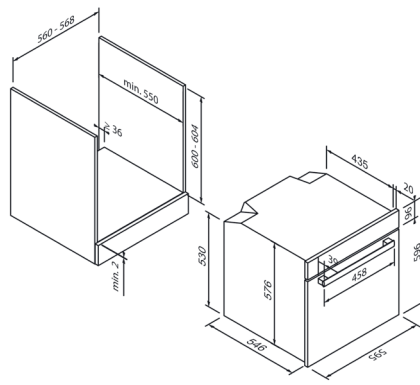


# Ovens



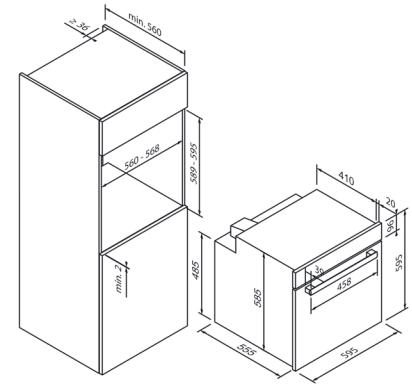
**Suitable for oven TU**

5B60M8690GB	5B50P8590GB
5B90S8990GB	5B50N8590GB



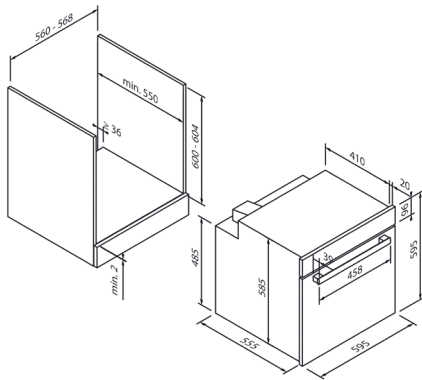
**Suitable for oven BU**

5B60M8690GB	5B50P8590GB
5B90S8990GB	5B50N8590GB



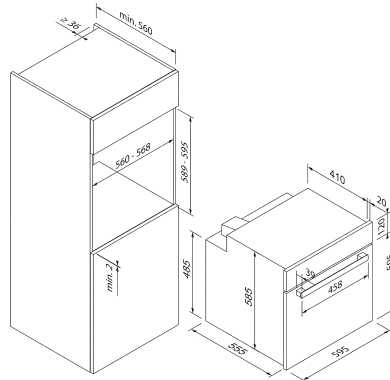
**Suitable for oven TU**

5B36N0250GB	5B30N0250GB
-------------	-------------



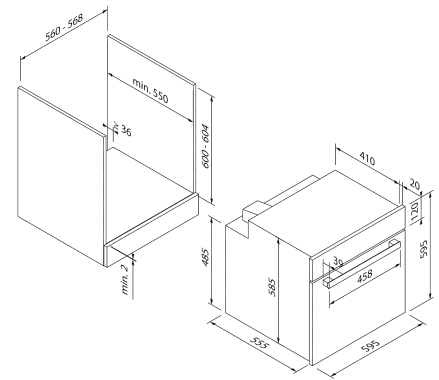
**Suitable for oven BU**

5B36N0250GB	5B30N0250GB
-------------	-------------



**Suitable for oven TU**

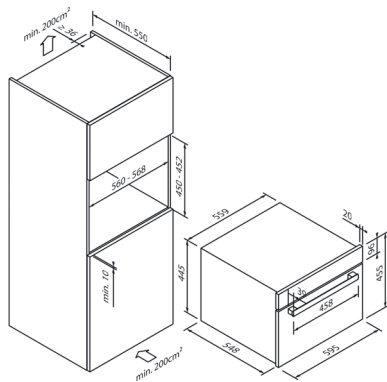
5B20N0290IN
-------------



**Suitable for oven BU**

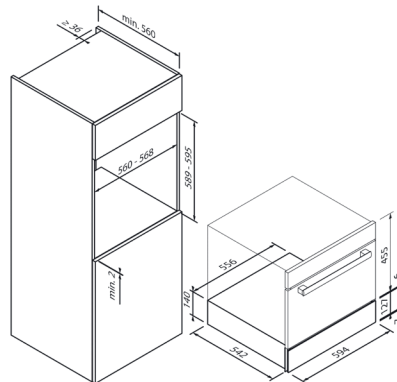
5B20N0290IN
-------------

# Compact appliances



**Suitable for compact appliance**

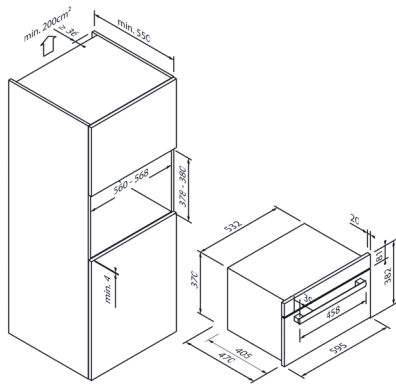
5C90S8990GB
-------------



**Suitable for warming drawer**

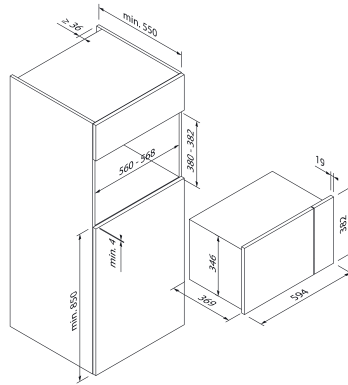
5WS16400
----------

# Microwaves



Suitable for microwave

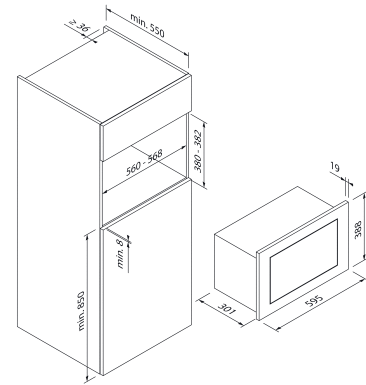
5M60M8690GB



Suitable for microwave

5MG17190IN

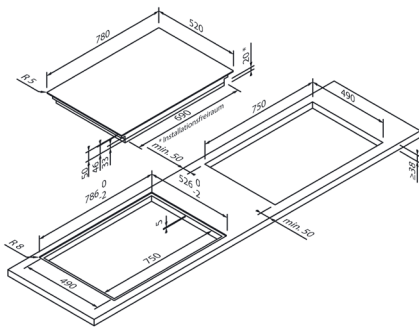
5MA27500IN



Suitable for microwave

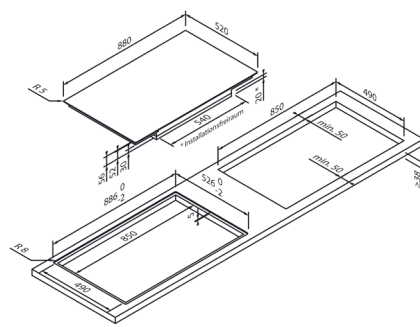
5MG16199IN

# Hobs



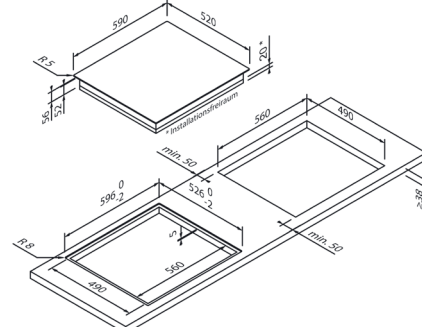
Suitable for hob

51186250



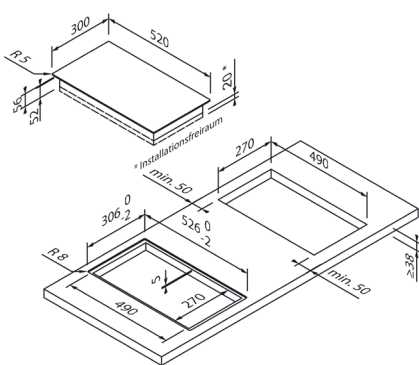
Suitable for hob

51194291



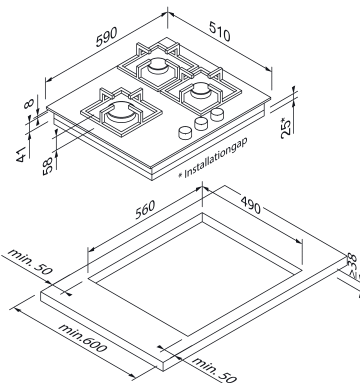
Suitable for hob

51E64253



Suitable for hob

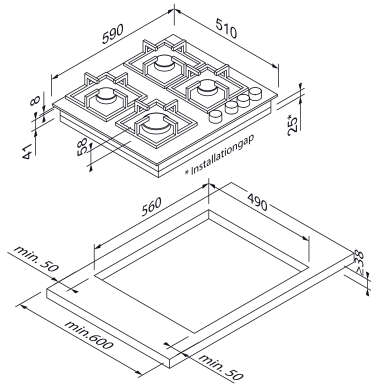
5IZ34291



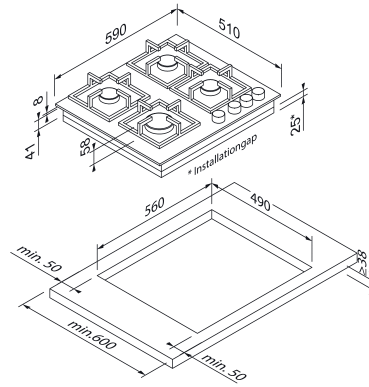
Suitable for hob

5GH65BB390

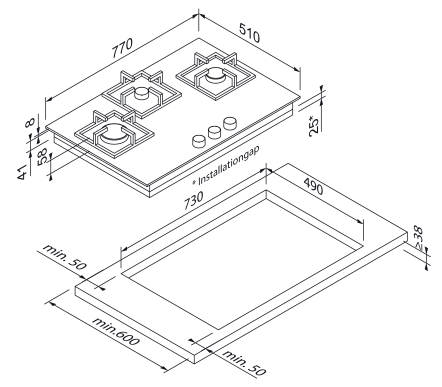
# Hobs



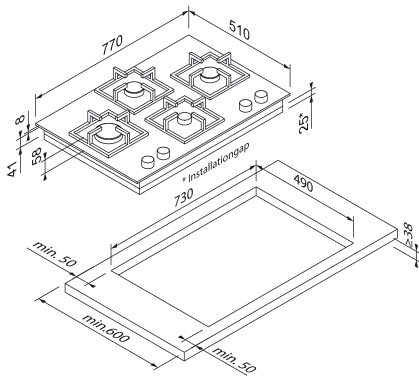
**Suitable for hob**  
5GH65BB490



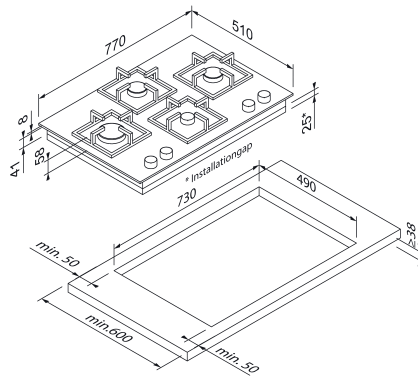
**Suitable for hob**  
5GH65BB491



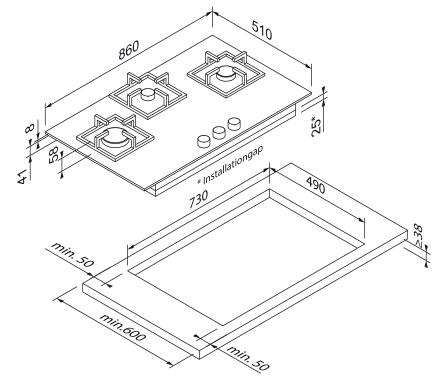
**Suitable for hob**  
5GH75BB390



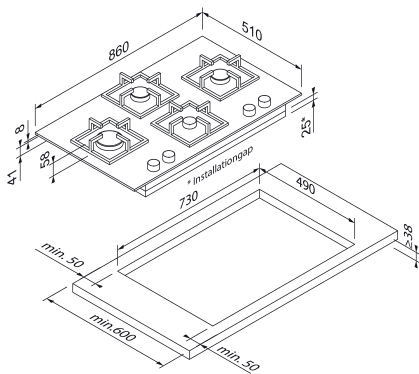
**Suitable for hob**  
5GH75BB490



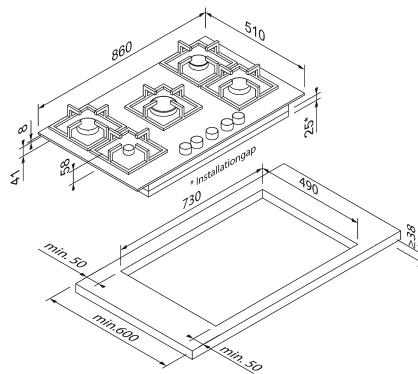
**Suitable for hob**  
5GH75BB491



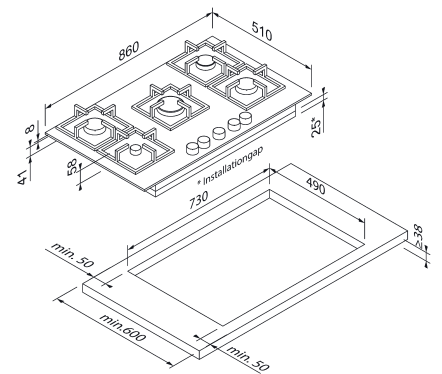
**Suitable for hob**  
5GH85BB390



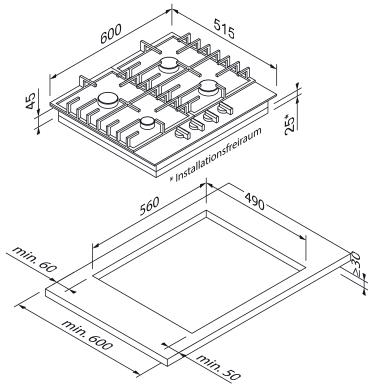
**Suitable for hob**  
5GH85BB490



**Suitable for hob**  
5GH85BB590

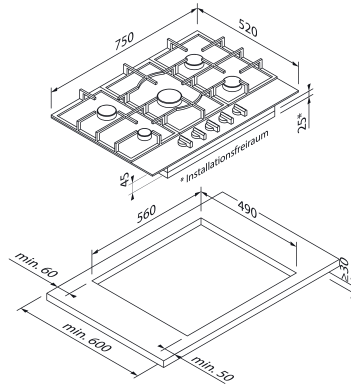


**Suitable for hob**  
5GH85BB591



Suitable for hob

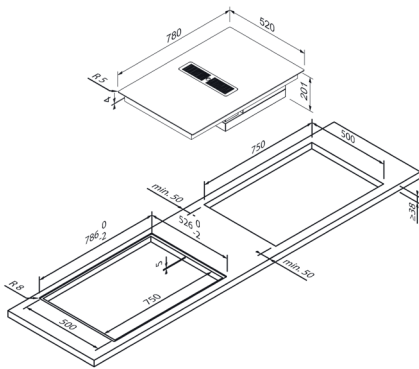
5GB62191IN



Suitable for hob

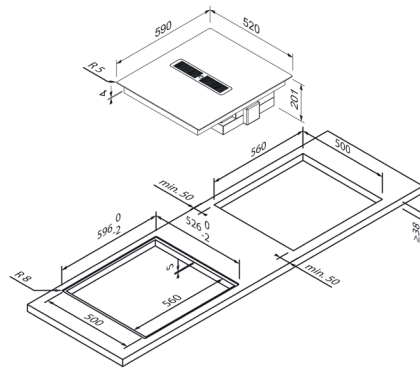
5GB72290IN

## Hob extractors



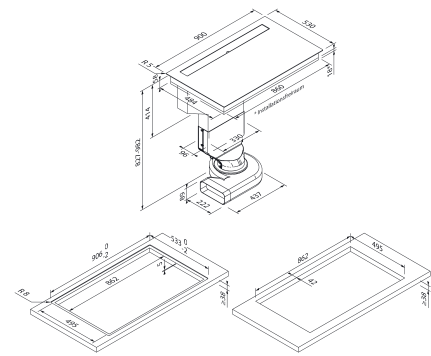
Suitable for hob extractor

5IX80290



Suitable for hob extractor

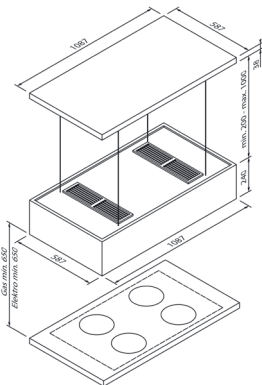
5IX60290



Suitable for hob extractor

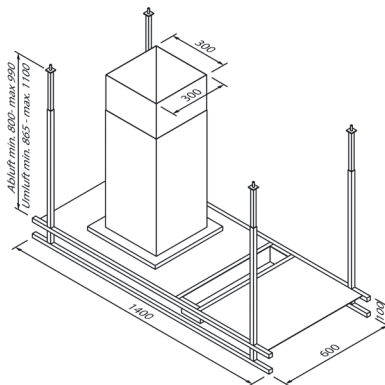
5IX94291

## Island flues



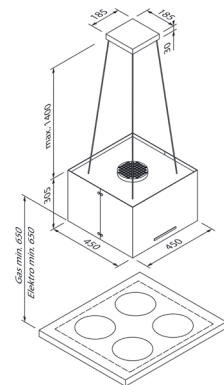
Suitable for island flue

5SL92500



Suitable for island flue

5DF92760

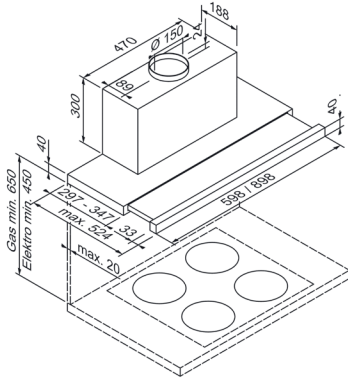


Suitable for island flue

5DB96453

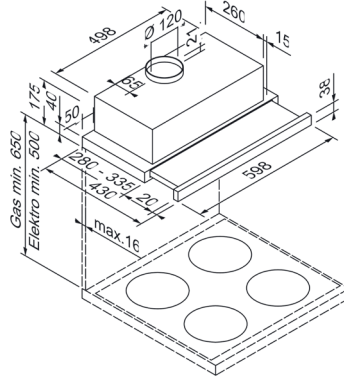


# Flat hoods and fan modules



Suitable for flat hood

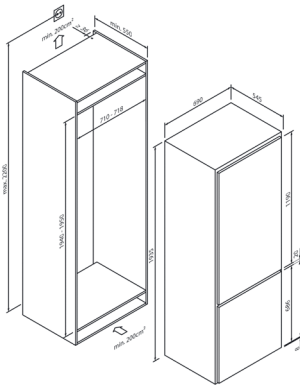
5DA39460



Suitable for flat hood

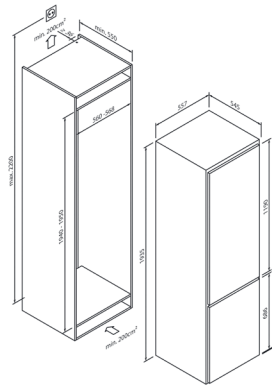
5DA36258

# Refrigerators



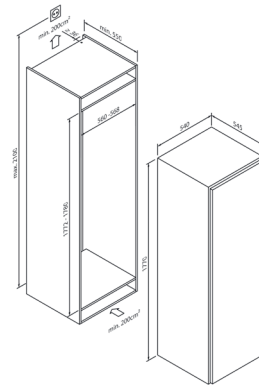
Suitable for refrigeration I 194

5CR394FD0 (EG017850)



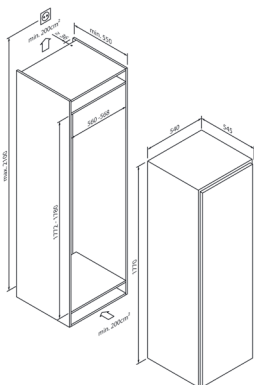
Suitable for refrigeration I 194

5CR294FD0 (EG017800)



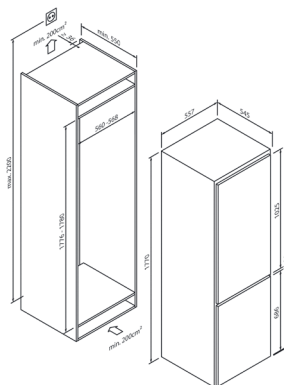
Suitable for freezer I 178

5FG288FD0 (EG017950)



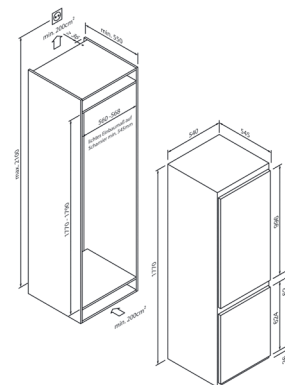
Suitable for refrigeration I 178

5CL288FD0



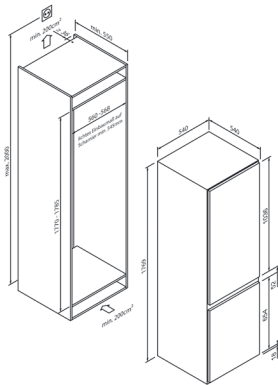
Suitable for refrigeration I 178

5CR284FD0



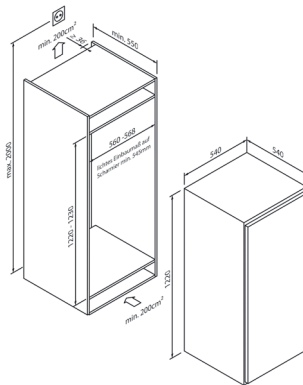
Suitable for refrigeration I 178

5CR288SD0



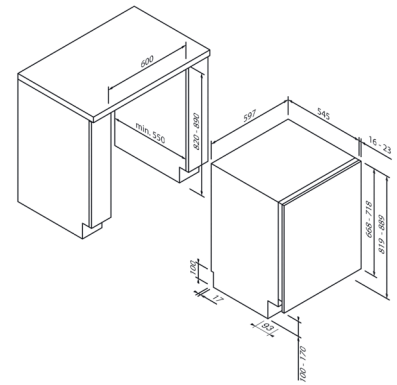
Suitable for refrigeration | 178

5CB281SD0



Suitable for refrigeration | 122,5

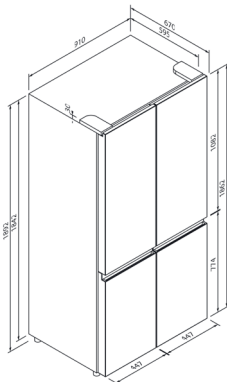
5CK241FE0



Suitable for Undercounter refrigeration | 82

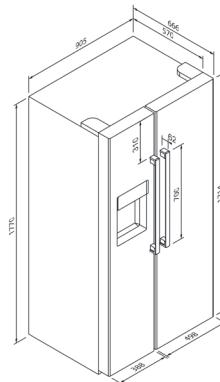
5CP224FD0

## Freestanding refrigerations



Suitable for free-standing cooler

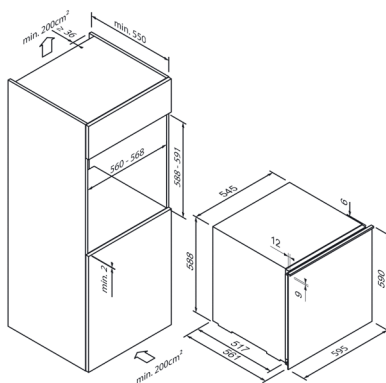
5CD891SC0



Suitable for free-standing cooler

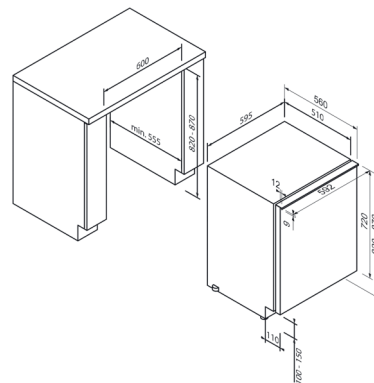
5SB891SE0

## Wine refrigerations



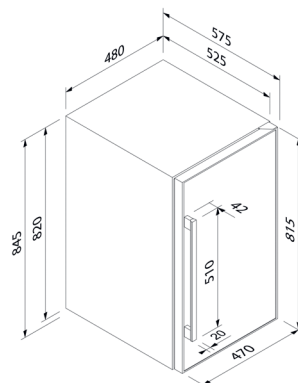
Suitable for wine cooler

5WK630FF0



Suitable for under cabinet mount wine cooler

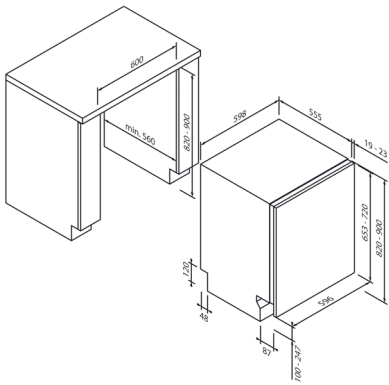
5WK830FF0



Suitable for free-standing cooler

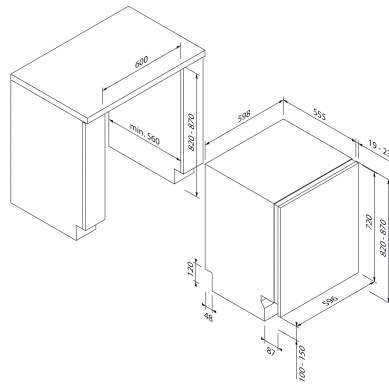
5WK490SL

# Dishwashers



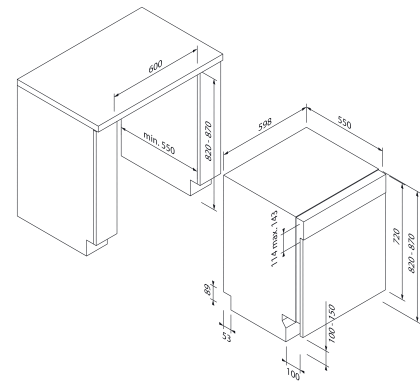
**Suitable for dishwasher | fully integrated**

5VF4X00BSD



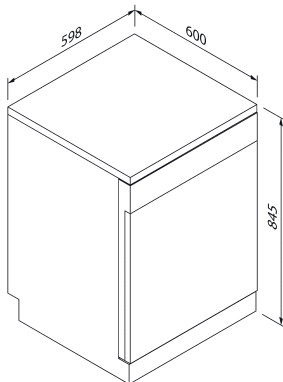
**Suitable for dishwasher**

5VF421IN



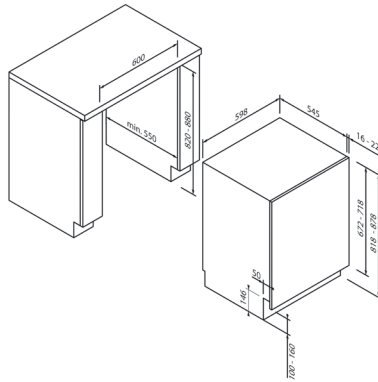
**Suitable for dishwasher**

5VI311IN



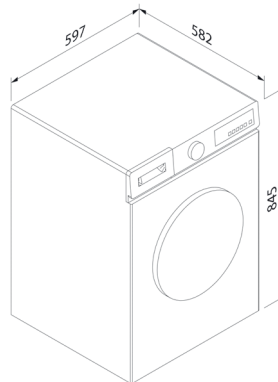
**Suitable for dishwasher**

5VS401IN



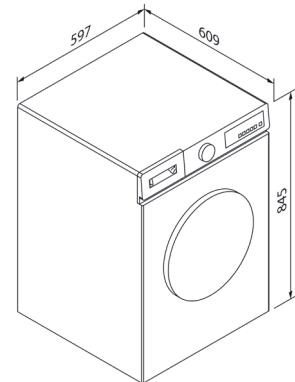
**Suitable for washer dryer | Fully integrated**

5WT6X001



**Suitable for washing machine | Freestanding**

5WF6X910



**Suitable for dryers | Freestanding**

5TF6X910

# Services



Thank you for choosing Blaupunkt's built-in kitchen appliances, brought to you by Hettich. Our professional service is available to assist you. All queries related to built-in kitchen appliances will be professionally answered by our technical experts. Here, you will receive all the information on handling, functions and performance.

For customer service, repair services, user advice, spare parts & accessories, you can scan the QR code or reach out to us on our toll-free number, email or website below:



Toll Free : 1800 209 2096 (office hours)  
Email: [sales\\_enquiry@in.hettich.com](mailto:sales_enquiry@in.hettich.com)  
[customer\\_services@in.hettich.com](mailto:customer_services@in.hettich.com)  
[www.hettich.com](http://www.hettich.com)

## Experience Centres

### New Delhi:

61, Punchkuian Road,  
Near RK Ashram Metro,  
Opposite Pillar No 4,  
New Delhi - 110001  
Ph. No. : +91 11 4750 8320

### Chennai:

"Heavitree", Ground Floor,  
47, Spur Tank Road,  
Chetpet, Chennai - 600 031  
Ph. No. : +91 44 4263 7227

### Hyderabad:

" Sai Krishna "  
797 - A, 2<sup>nd</sup> Floor,  
Road No. 36, Jubilee Hills,  
Hyderabad - 500 034  
Ph. No. : +91 40 2355 8994

### Ahmedabad:

1<sup>st</sup> Floor, Unit No. 102,  
Safal Pegasus, Anand Nagar,  
Ahmedabad - 380 015  
Ph. No. : +91 79 4032 2824  
+91 84 4838 5318

### Nepal:

Liasion Office Nepal  
Hariharbhawan-03, Pulchowk,  
Lalitpur 44600

### Mumbai:

Ground Fl./302, Duroelite House, Opp. SAB TV,  
New Link Road, Andheri (West),  
Mumbai - 400 053  
Ph.No. : +91 22 2639 9707

### Bengaluru:

Adventz Center, Ground Floor 28,  
Cubbon Road, Shivaji Nagar,  
Bangalore - 560 001  
Ph. No. : +91 98679 38199

### Chandigarh:

2<sup>nd</sup> Floor, Sanjeev Tower, Plot no. 55,  
Industrial & Business park, Phase 1,  
Chandigarh - 160 002  
Ph. No. : +91 172 5012 347

### Indore:

Ground Floor & 1st Floor, Asteria Pride,  
Plot No.86, Scheme no. - 114-II, AB Road,  
(Near Doshi Honda) Indore,  
Madhya Pradesh 452 010.  
Ph. No. : +91 96 9168 4480

### Kolkata:

2<sup>nd</sup> Floor, Unit Number 2A,  
Tirumala 22, East Topsia Road,  
At Topsia Tangra Crossing  
Kolkata - 700 046  
Ph. No. : +91 98310 12054

### Kochi:

41/2062D, 2<sup>nd</sup> Floor  
Palarivattom signal  
junction, NH 47 By-pass,  
Kochi - 682 028  
Ph. No. : +91 48 4402 8242

### Gurugram:

Global Business Park, Tower - A, 5<sup>th</sup> Floor,  
Mehrauli-Gurgaon Rd, Sikanderpur,  
Sector 26, Gurugram, Haryana 122 002.  
Ph. No. : +91 124 4221670

### Pune:

Server Spacer ,  
Survey No. 127/1A,  
Plot No. 8, Off. ITI Road, Aundh,  
Pune - 411 007  
Ph. No : +91 72 0847 6557

Follow Hettich India



**BLAUPUNKT**  
BUILT-IN APPLIANCES

Brought to you by

**Hettich**